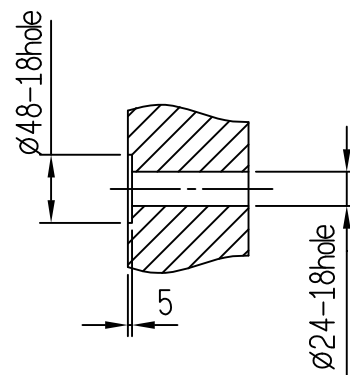
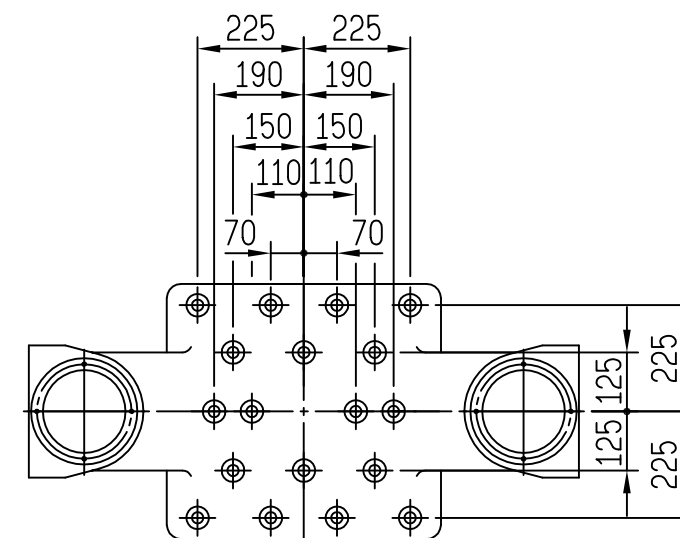


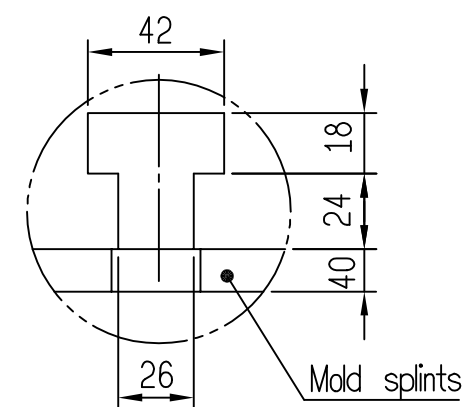
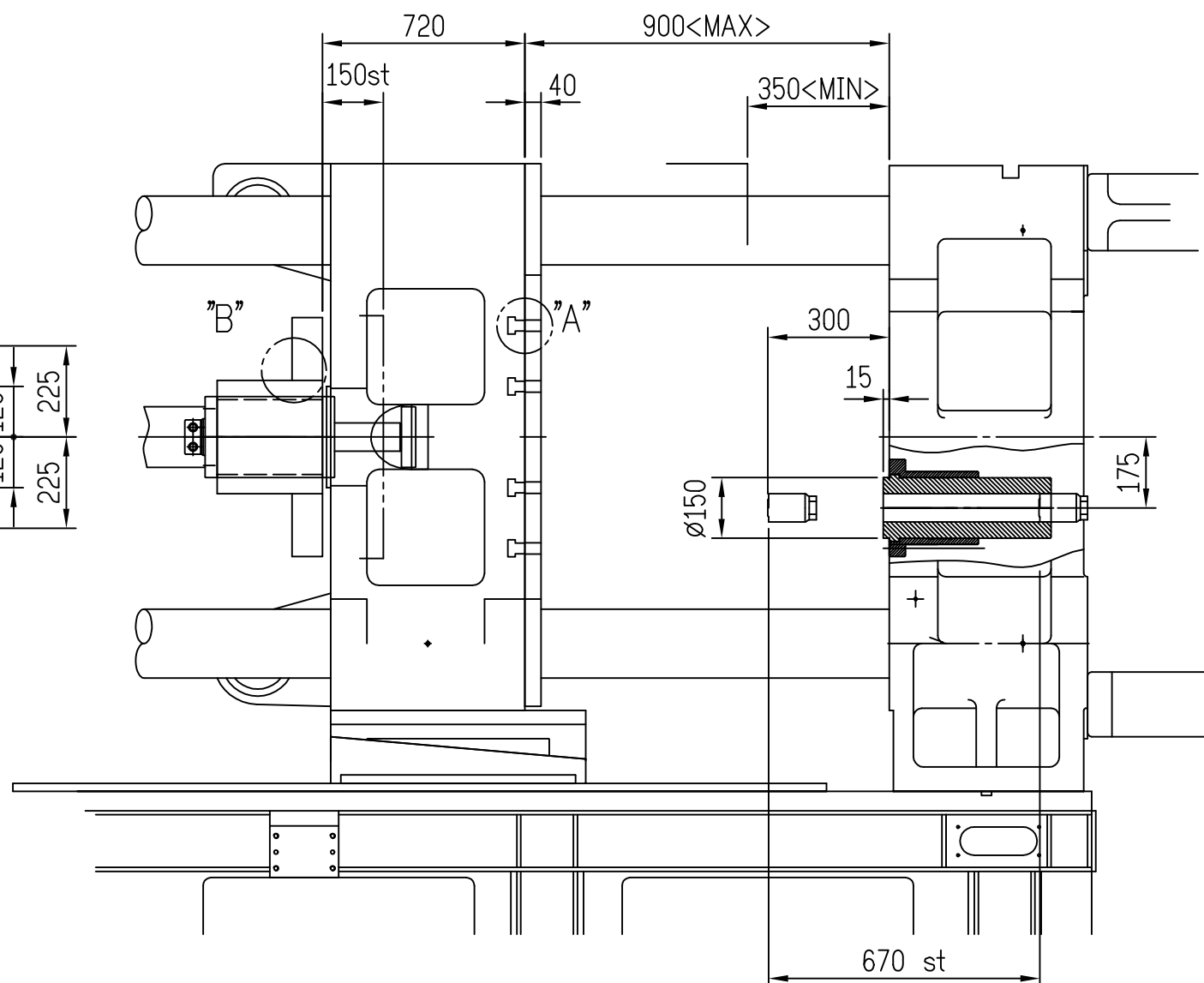
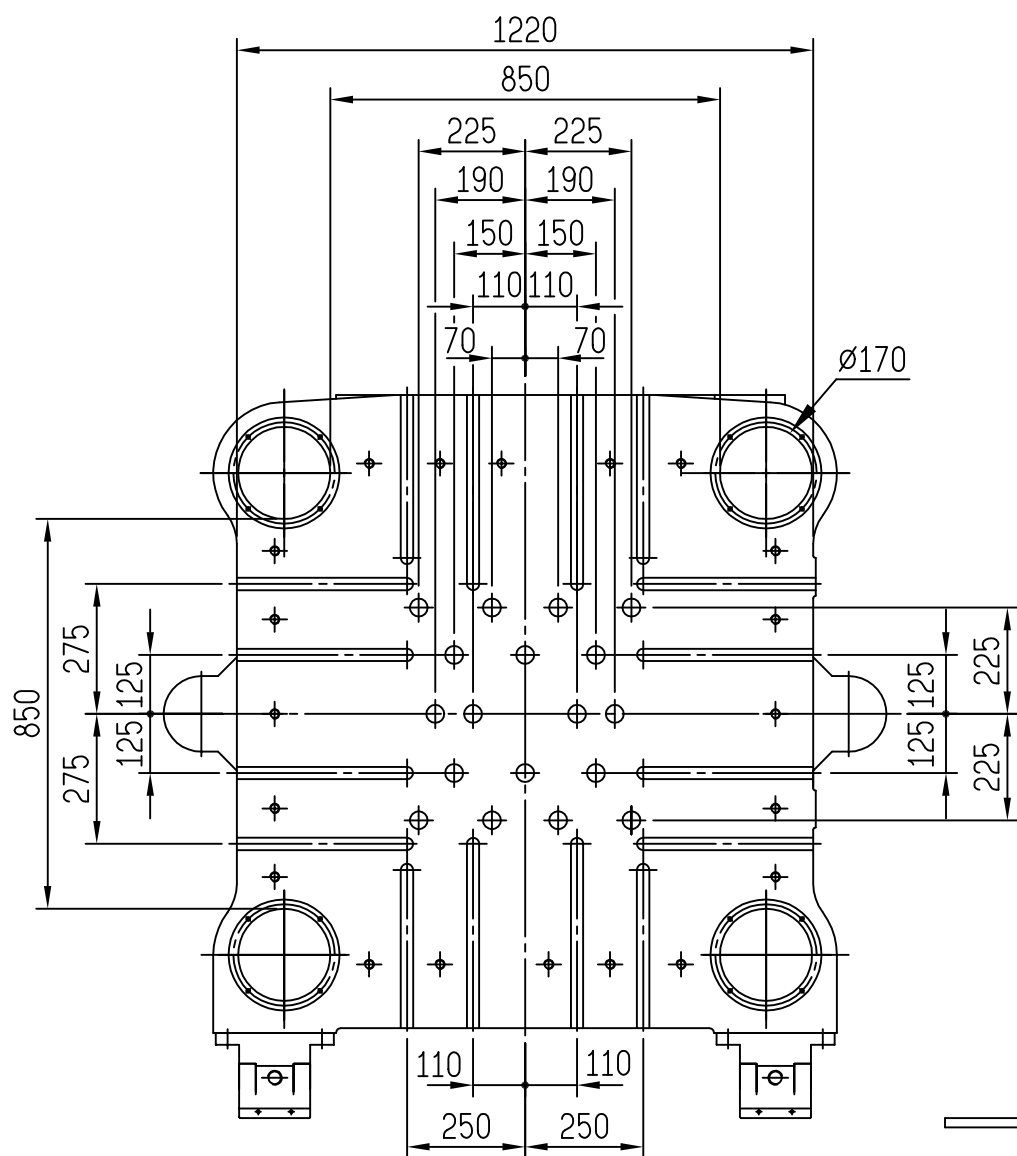
⊕ $\varnothing 38 \times 18$ bore <For eject hole or Retract hole>



"B" detailed diagram



Pin hole position



T-slot, "A" detailed diagram



鋁台精機廠股份有限公司
ZITAI-PRECISION MACHINERY CO., LTD

MODEL ZDC-7300T

No.

73DEA133

Applied sect

Die platen ejection drawing