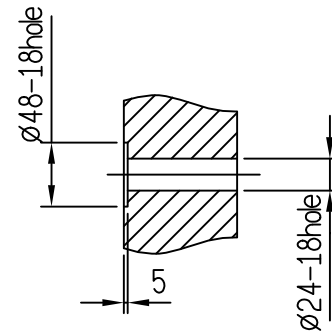
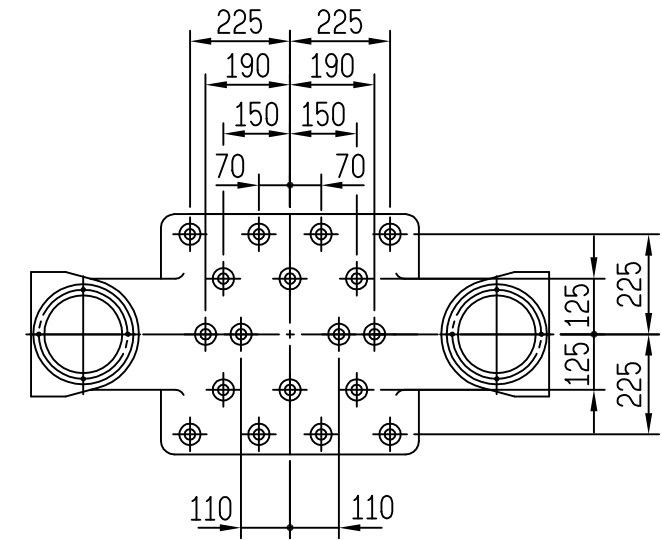


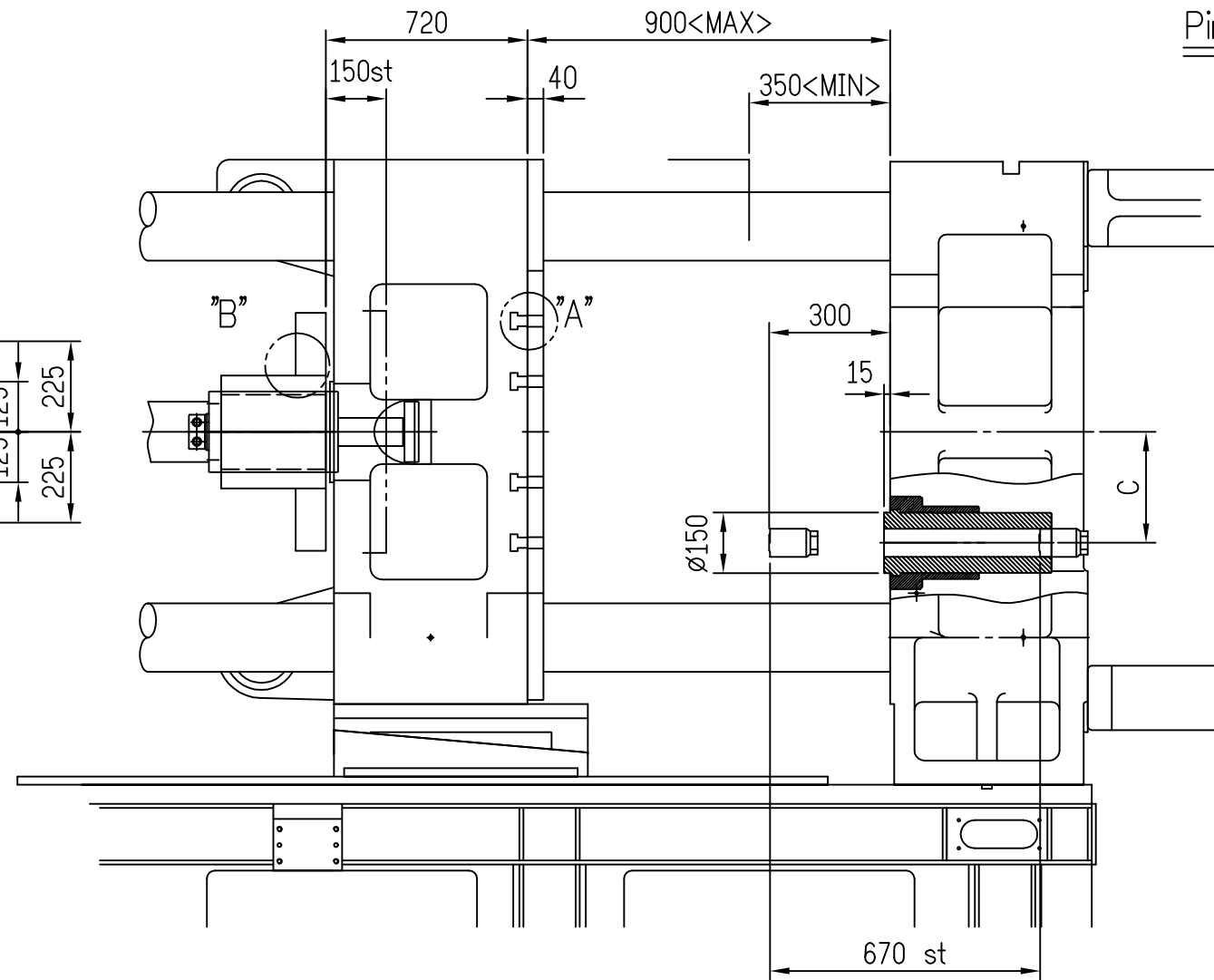
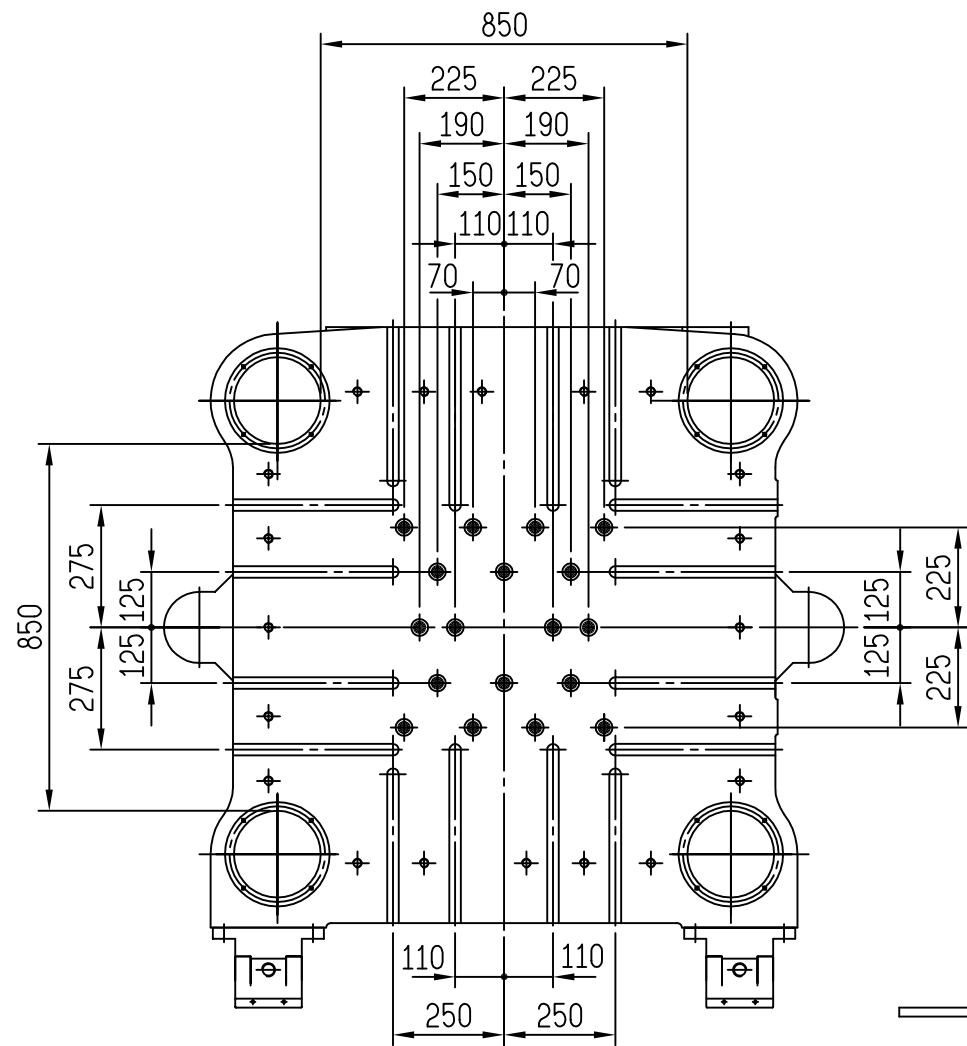
●  $\phi 38 \times 18$  bore <For eject hole or Retract hole>



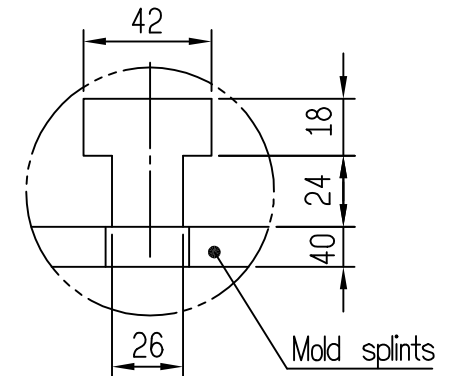
"B" detailed diagram



Pin hole position



"C" is -40, -140, -175, -275.



T-slot, "A" detailed diagram



鋁台精機廠股份有限公司  
ZITAI-PRECISION MACHINERY CO., LTD

MODEL

ZDC-730T

No.

7VDEA132

Applied sect

Die platen ejection drawing