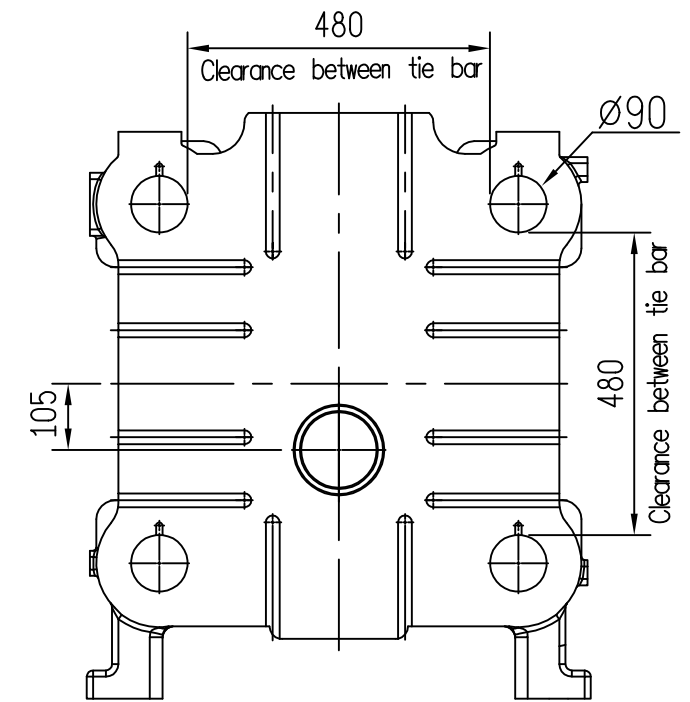
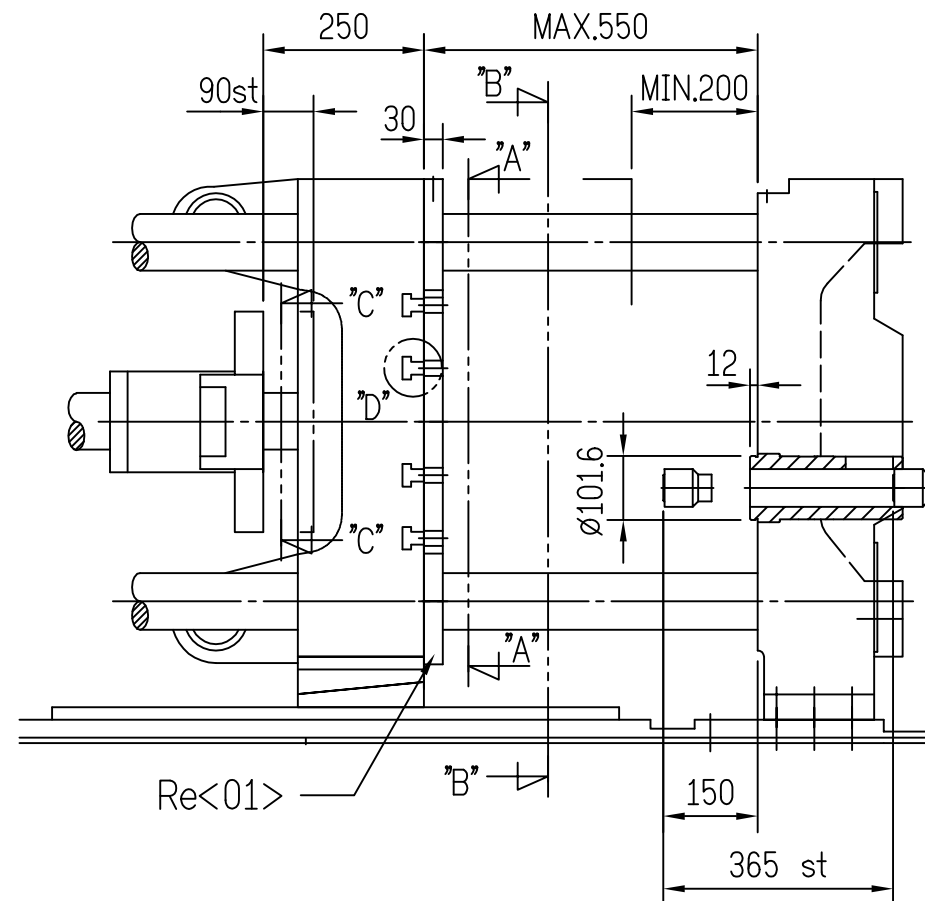
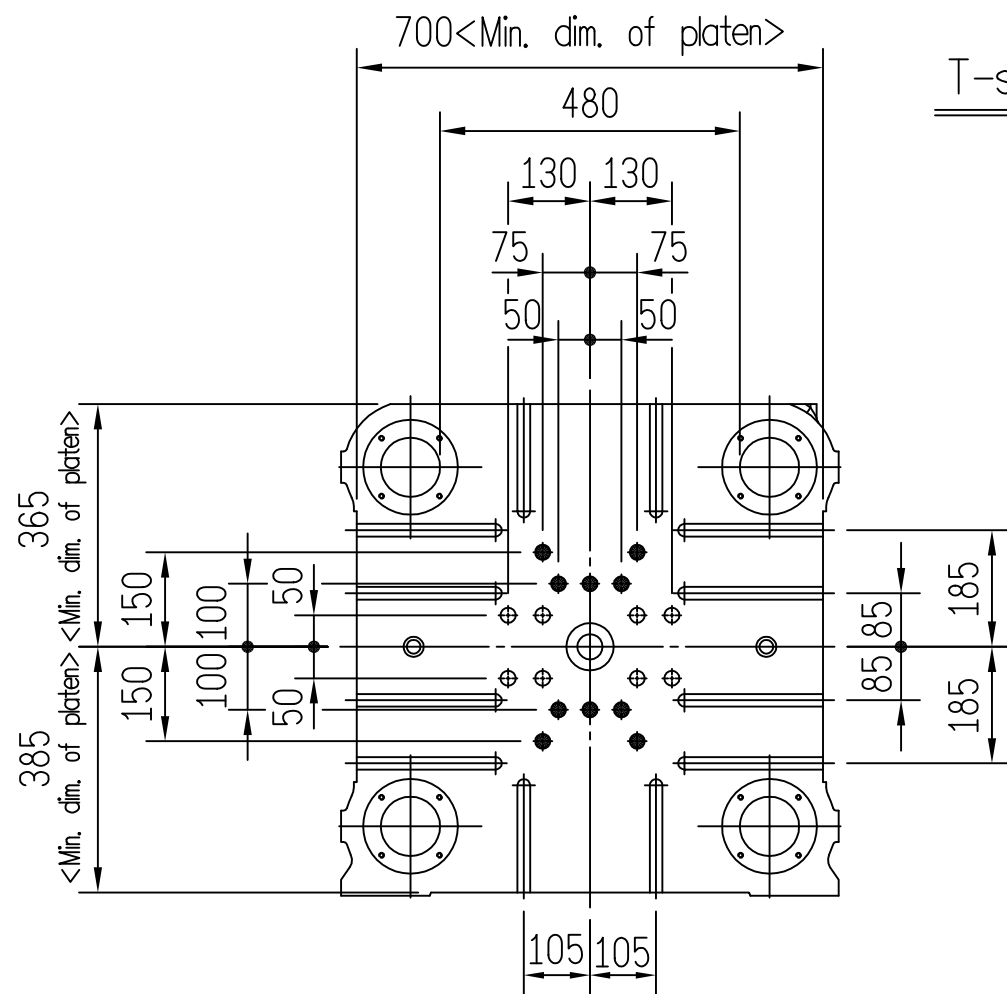
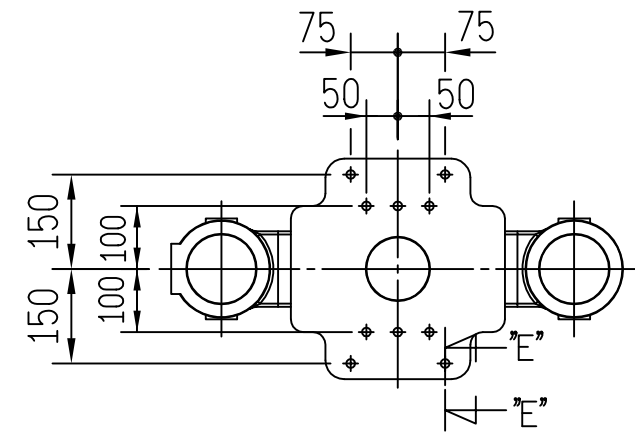
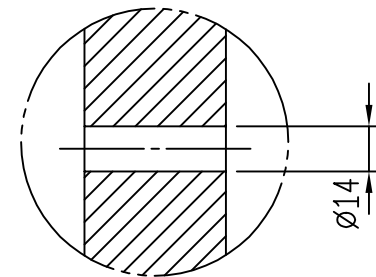
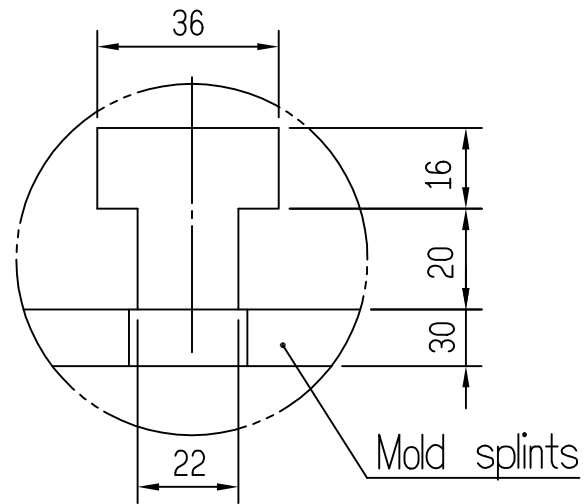


- Retract hole  $\varnothing 24 \times 10$  hole
- Eject hole  $\varnothing 24 \times 8$  hole



Re<01>: 180T~420T mold splints are optional.



鋁台精機廠股份有限公司  
ZITAI-PRECISION MACHINERY CO., LTD

MODEL ZDC-180T

No.

K1CPDEA130

Applied sect

Die platen ejection drawing