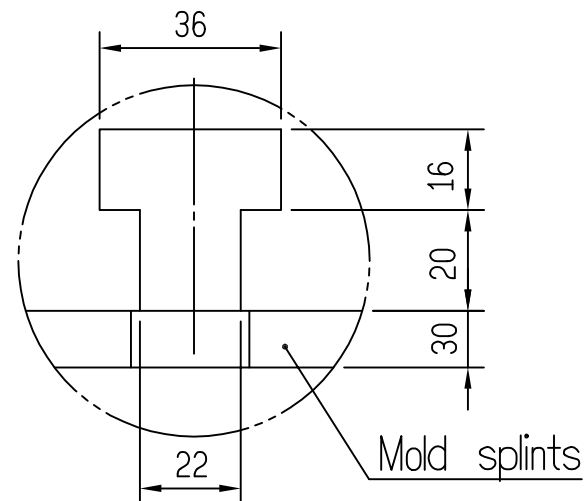
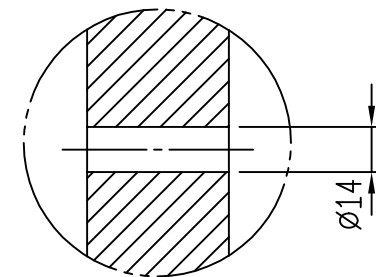


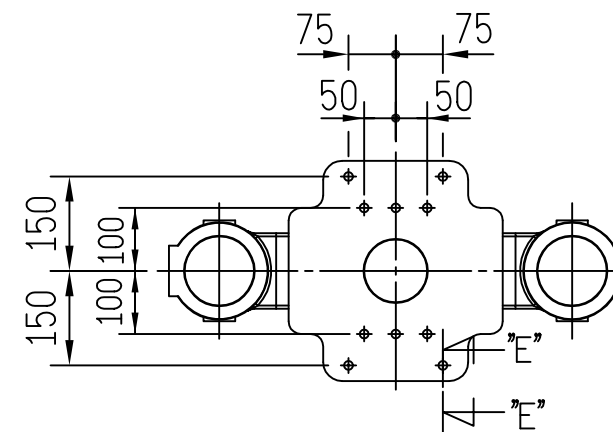
- Retract hole $\varnothing 24 \times 10$ hole
- Eject hole $\varnothing 24 \times 8$ hole



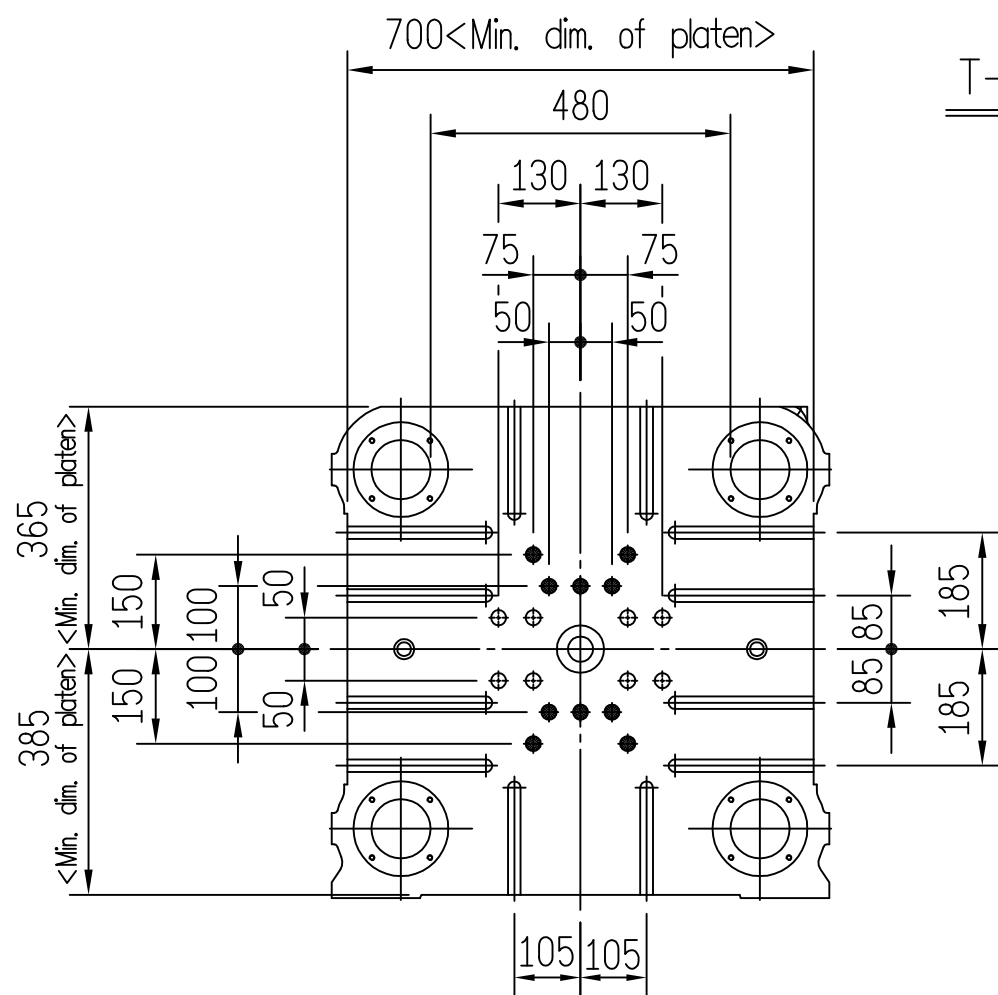
T-slot, "D" detailed diagram



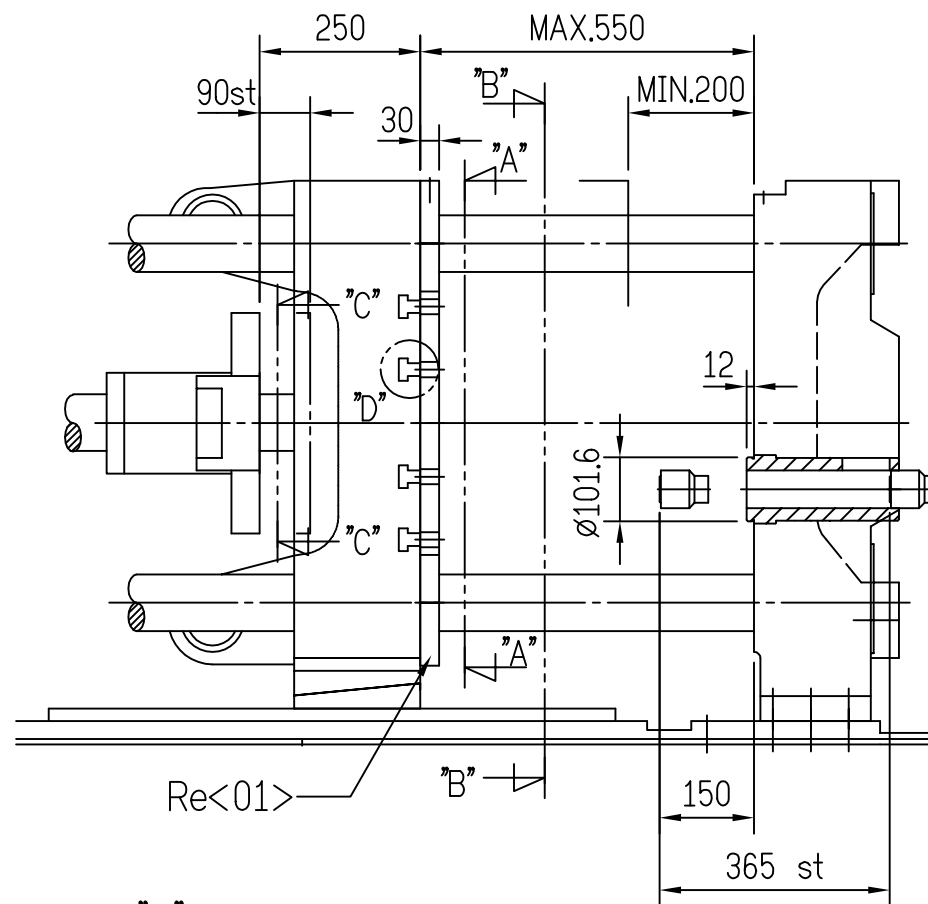
"E-E" Sectional area



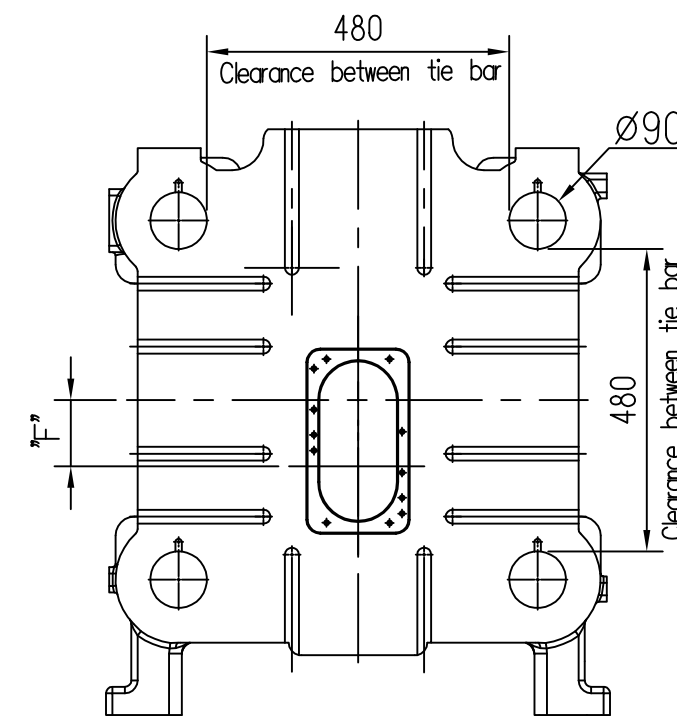
Retract hole position
"C-C" Sectional area



"A-A" Sectional area



"F" is: 0, -65, -105, -130



"B-B" Sectional area

*when shot position is 0, ladle cup is restricted. (dosing furnace does not apply)

Re<01>: 180T~420T mold splints are optional.



鋁台精機廠股份有限公司
ZITAI-PRECISION MACHINERY CO., LTD

MODEL ZDC-180T

No.

K1VDEA130

Applied sect

Die platen ejection drawing