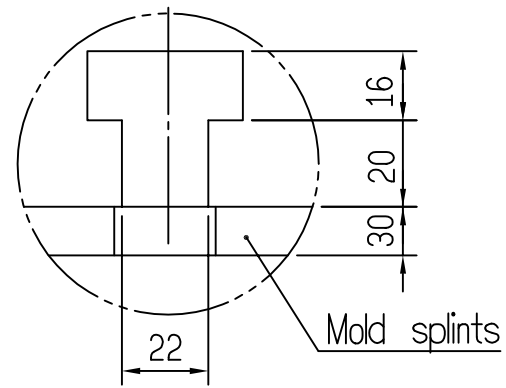
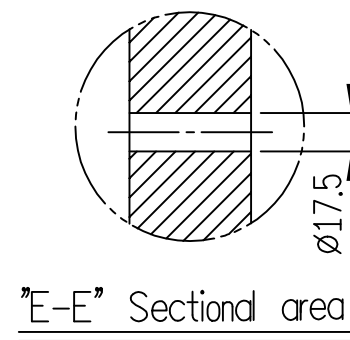


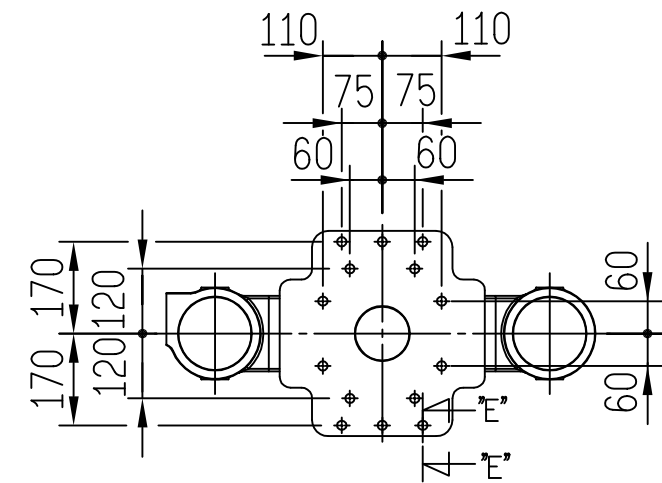
- Pin hole $\varnothing 24 \times 14$ bore
- Eject hole $\varnothing 24 \times 10$ bore



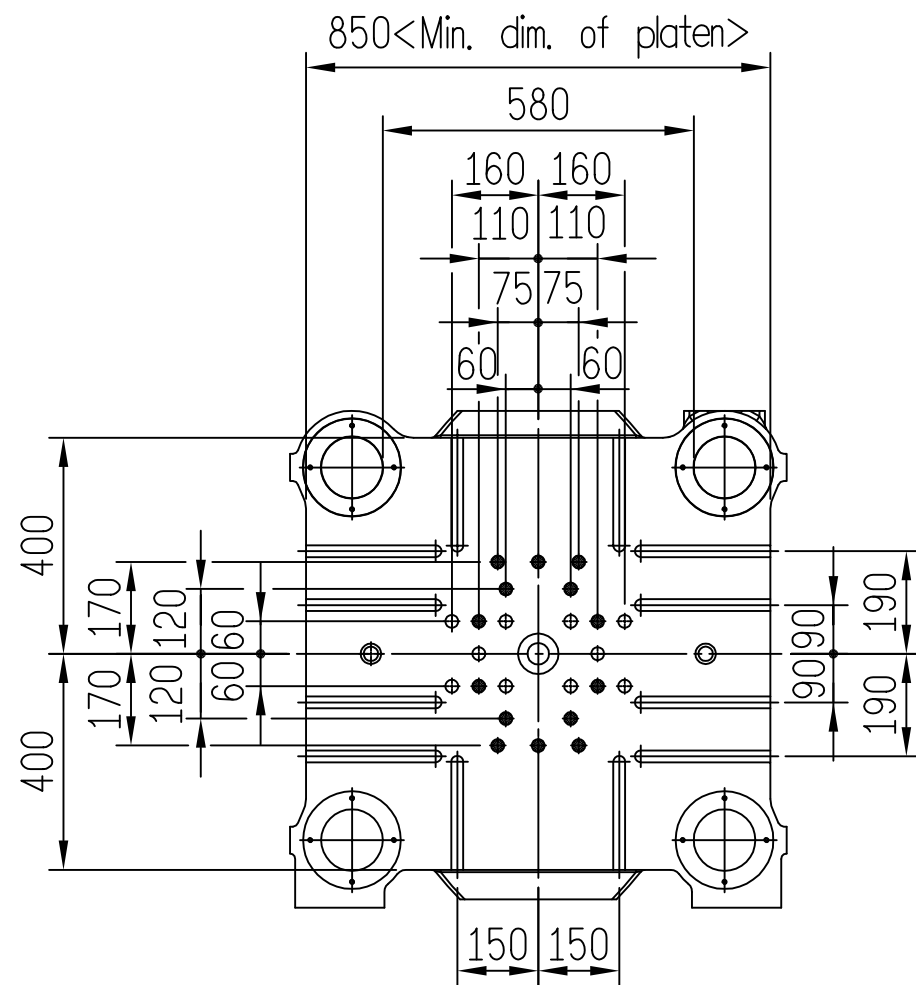
T-slot, "D" detailed diagram



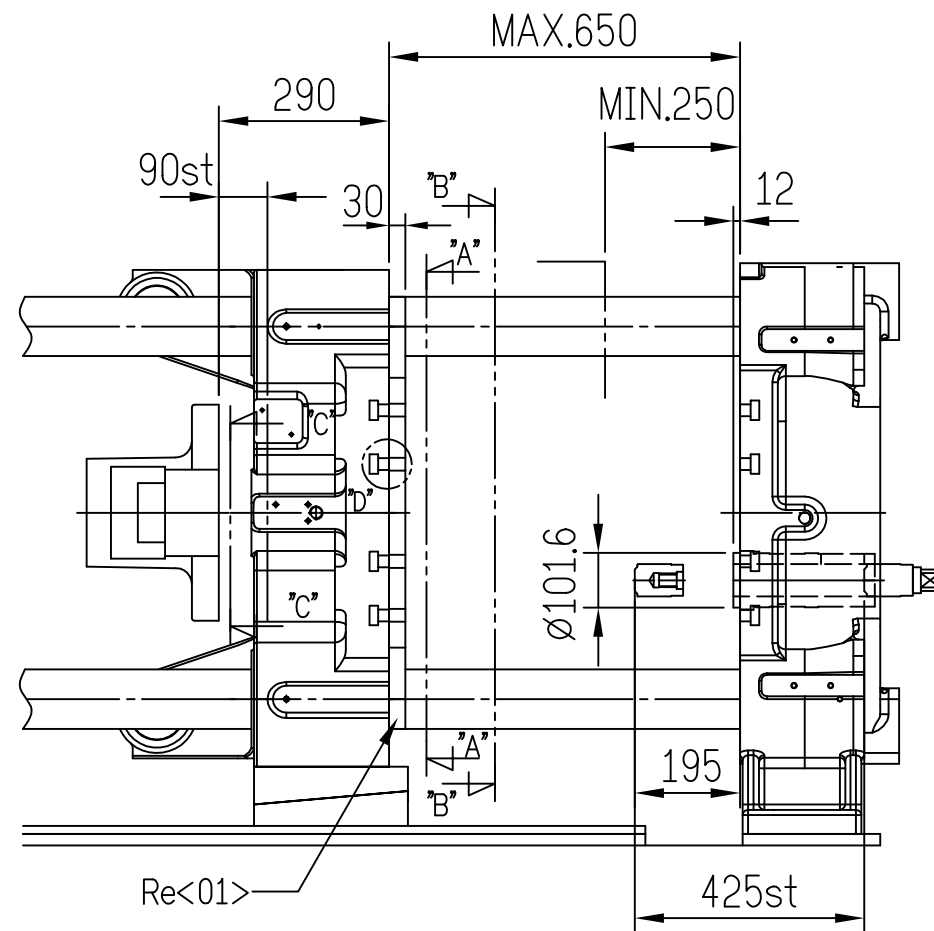
"E-E" Sectional area



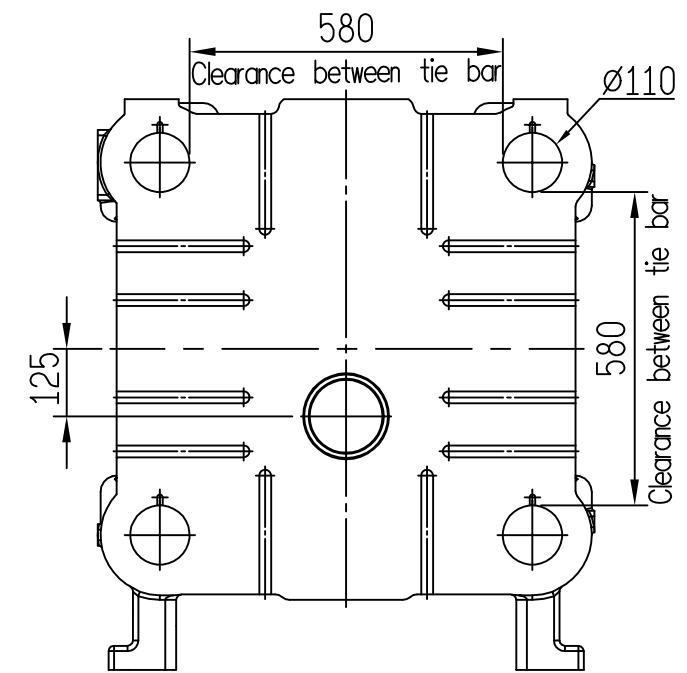
Retract hole position
"C-C" Sectional area



"A-A" Sectional area



Re<01>



"B-B" Sectional area

Re<01>: 180T~420T mold splints are optional.



鋁台精機廠股份有限公司
ZITAI-PRECISION MACHINERY CO., LTD

MODEL ZDC-250T

No.

L1CPDEA131

Applied sect

Die platen ejection drawing