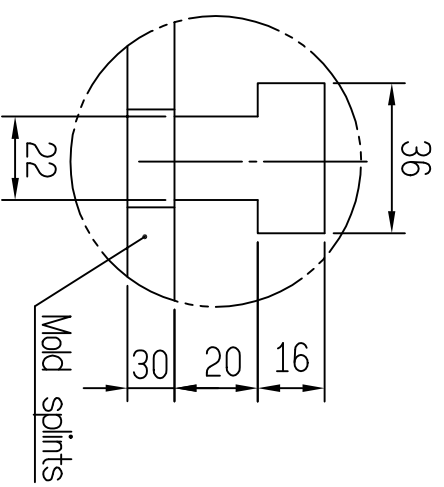
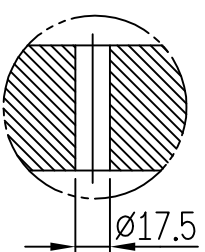


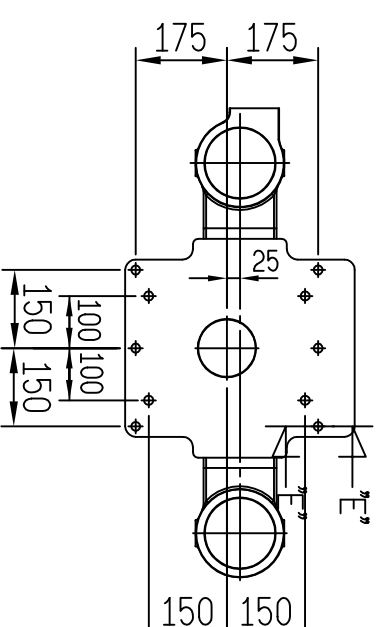
- Retract hole  $\varnothing 27 \times 10$  hole
- Eject hole  $\varnothing 27 \times 12$  hole



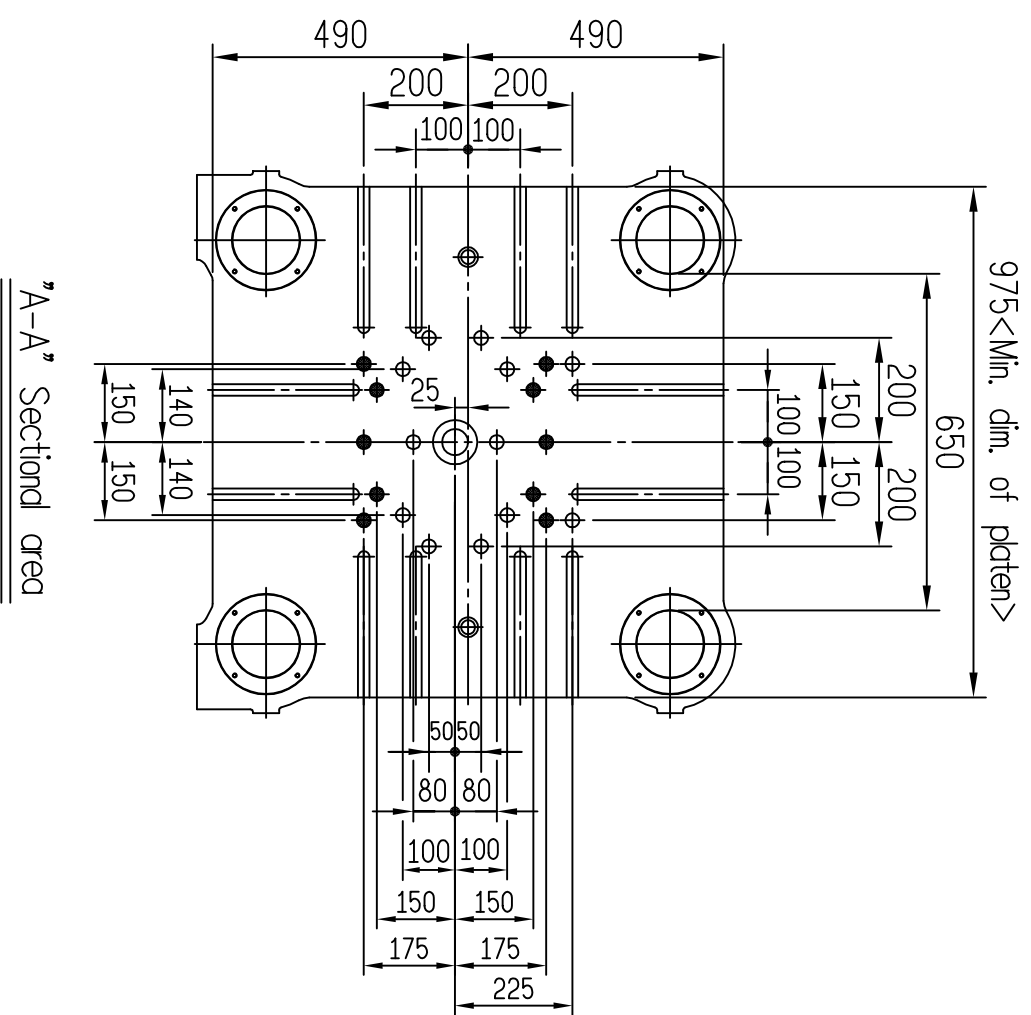
T-slot, "D" detailed diagram



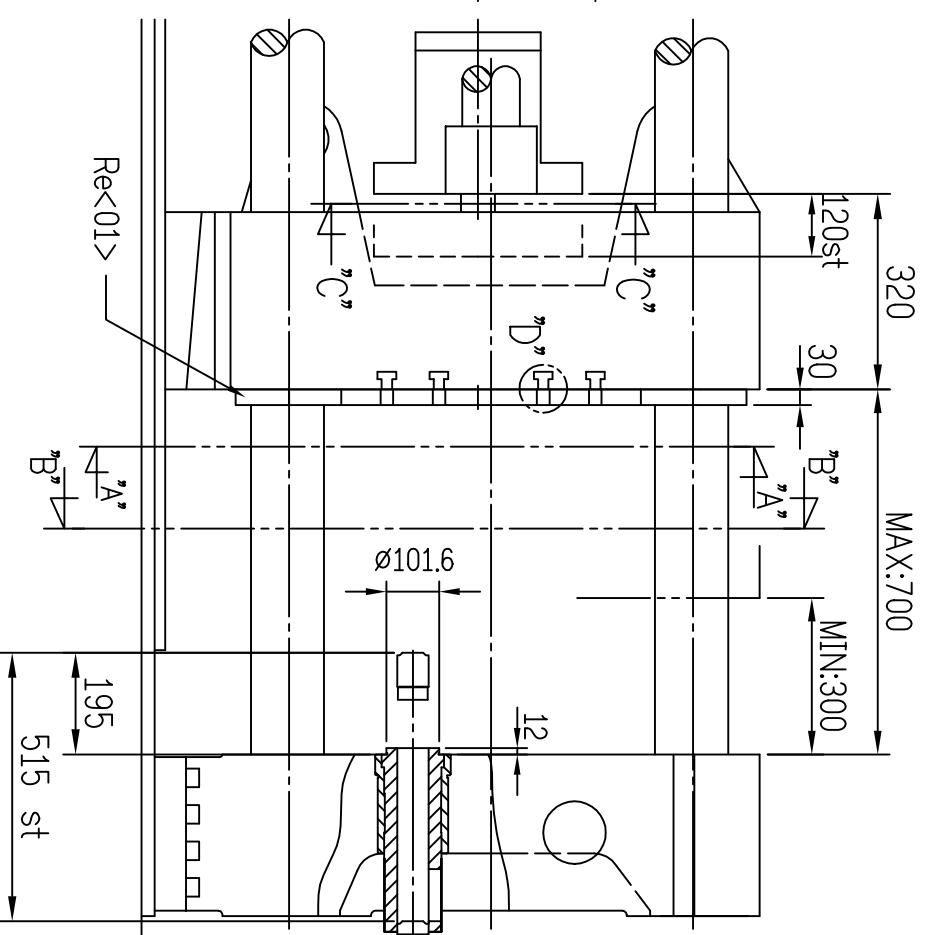
"E-E" Sectional area



Retract hole position  
"C-C" Sectional area

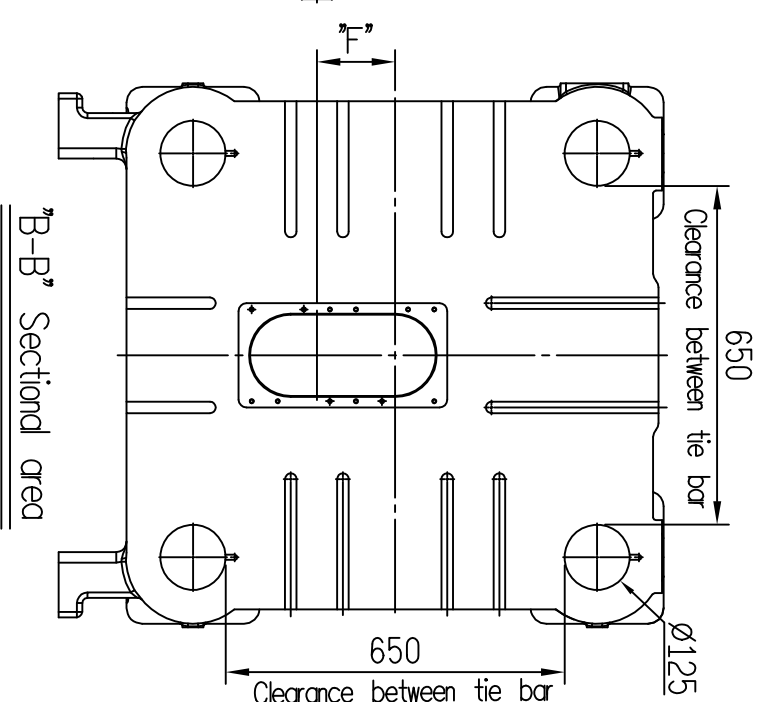


"A-A" Sectional area



"F" is 0, -50, -150, -200

\*when shot position is 0, ladle cup is restricted. (dosing furnace does not apply)



"B-B" Sectional area

Re<01>: 180T~420T mold splints are optional.



鋁台精機廠股份有限公司  
ZITAI-PRECISION MACHINERY CO., LTD

MODEL

ZDC-420T

No.

M1VPDEA131

Applied sect

Die platen ejection drawing