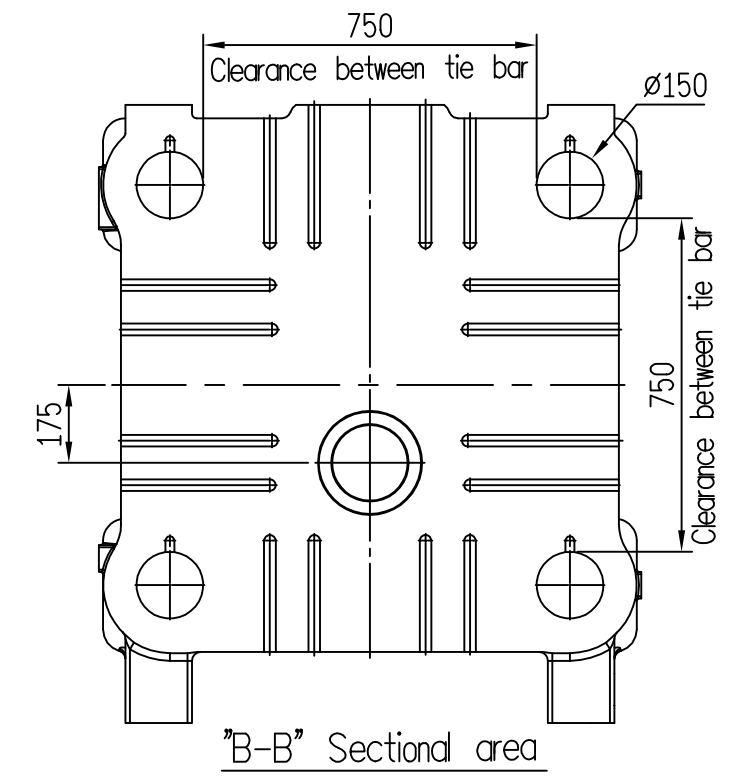
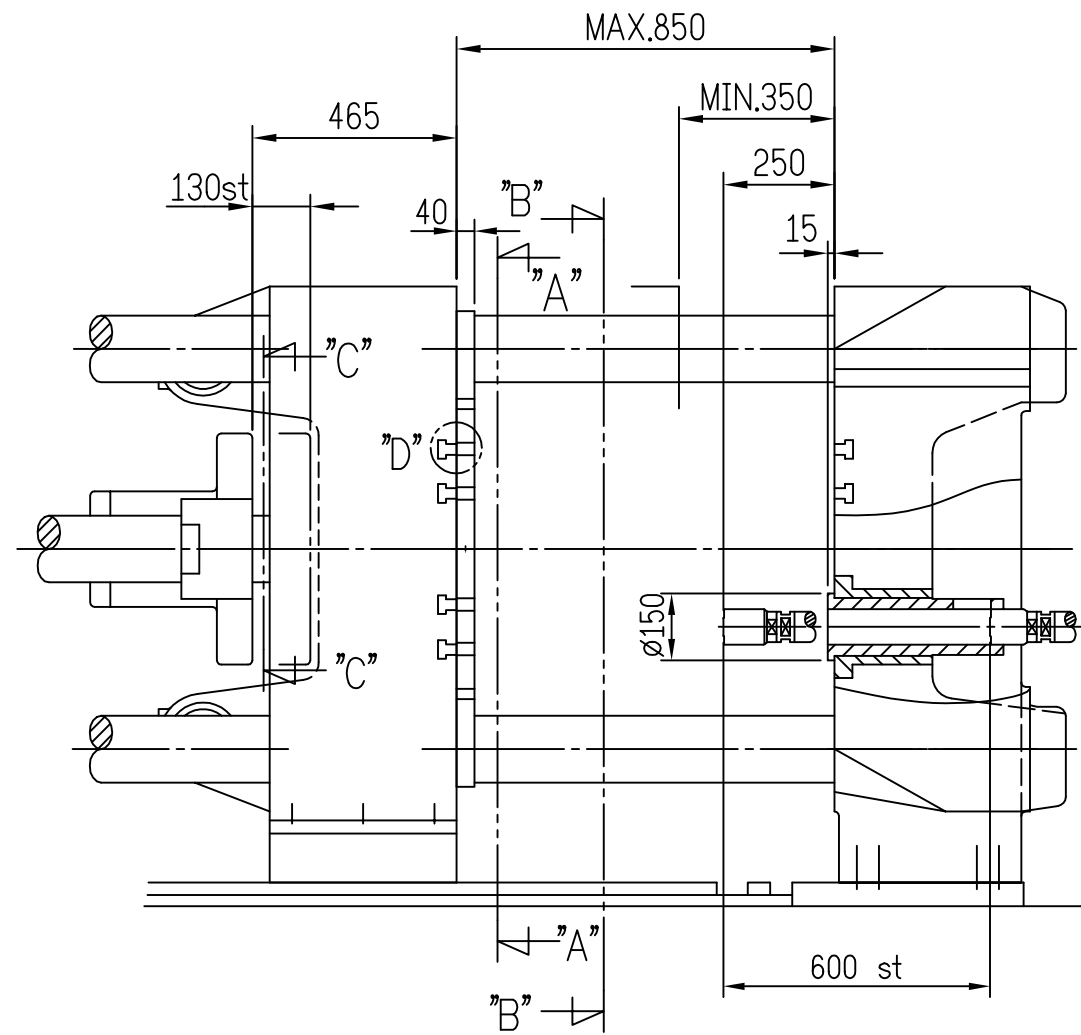
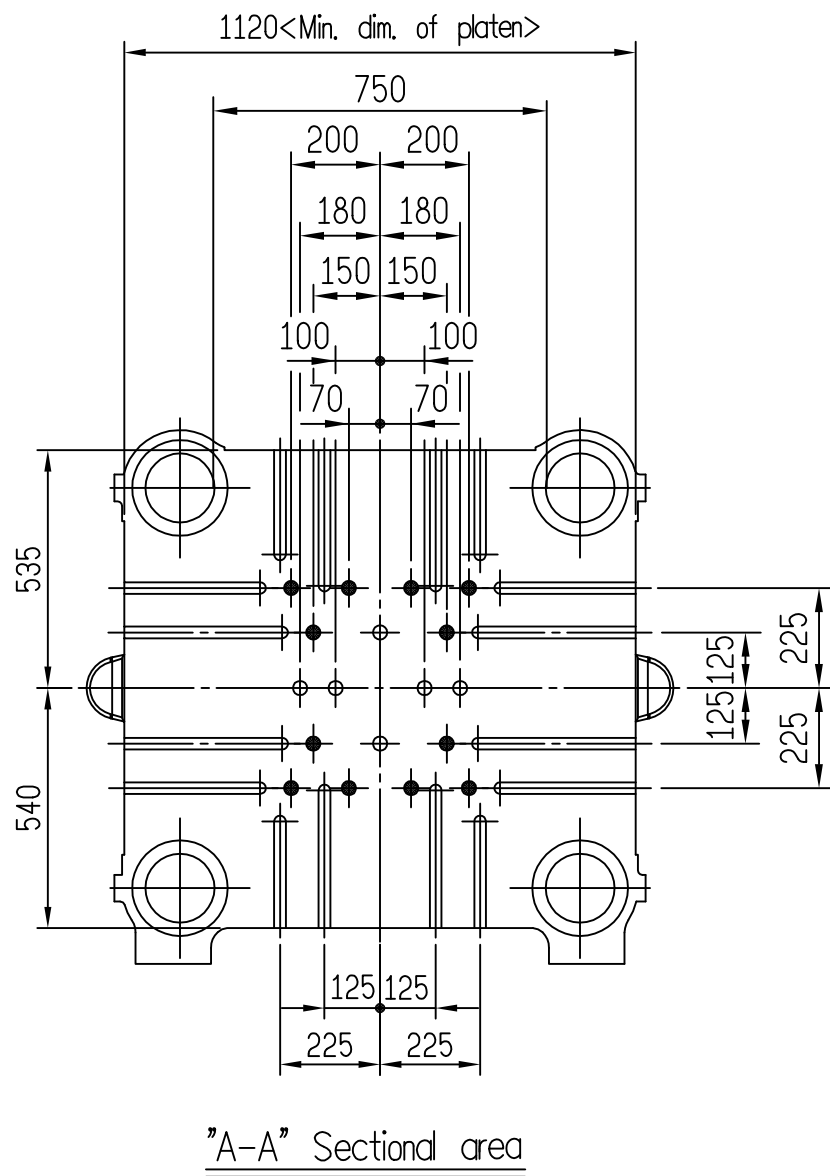
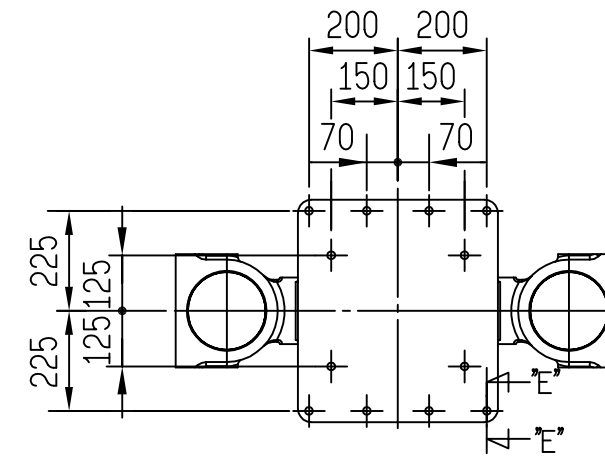
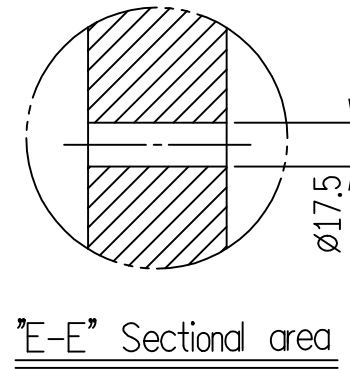
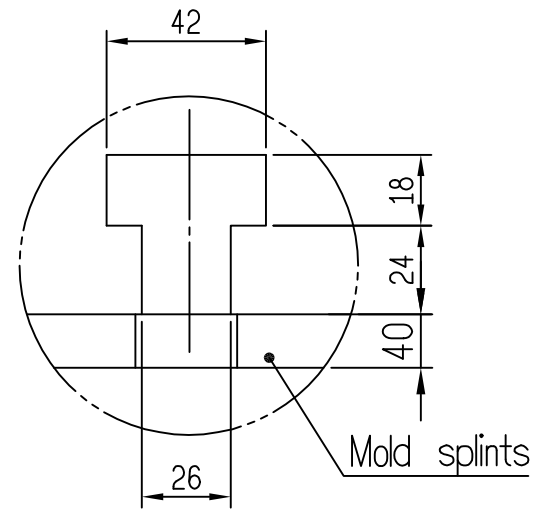


- Retract hole $\varnothing 32 \times 12$ hole
- Eject hole $\varnothing 32 \times 6$ hole



Re:<01> Dimension 225x200<4holes> retracting holes position are different with old generation
old generation is 225x225<4holes>