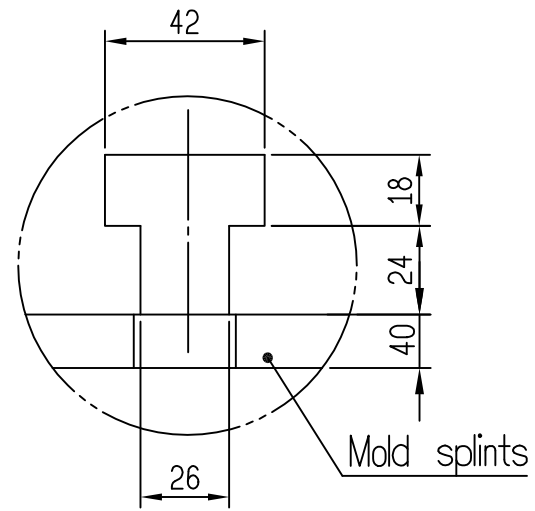
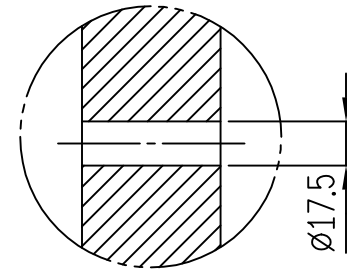


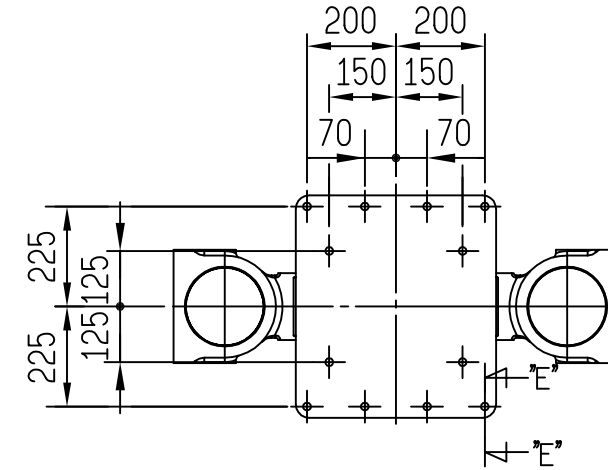
- Retract hole  $\varnothing 32 \times 12$  hole
- Eject hole  $\varnothing 32 \times 6$  hole



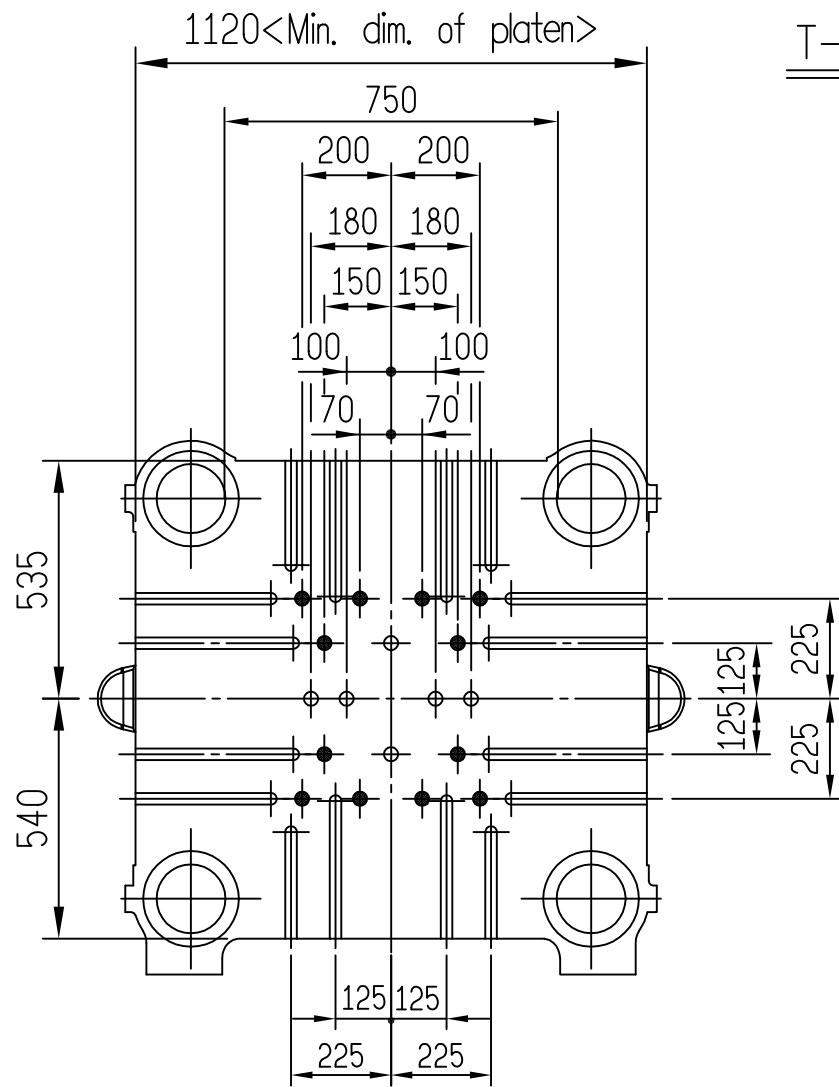
T-slot, "D" detailed diagram



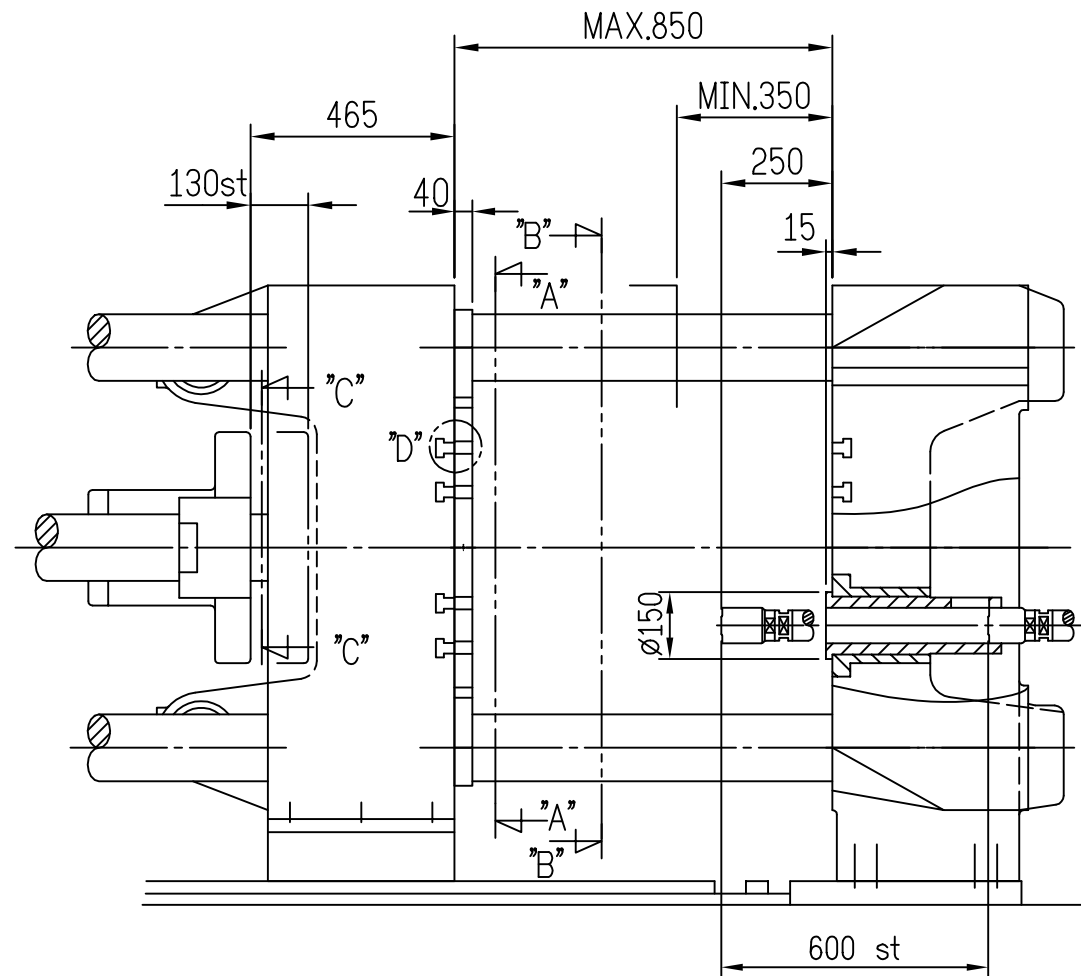
"E-E" Sectional area



Retract hole position "C-C" Sectional area

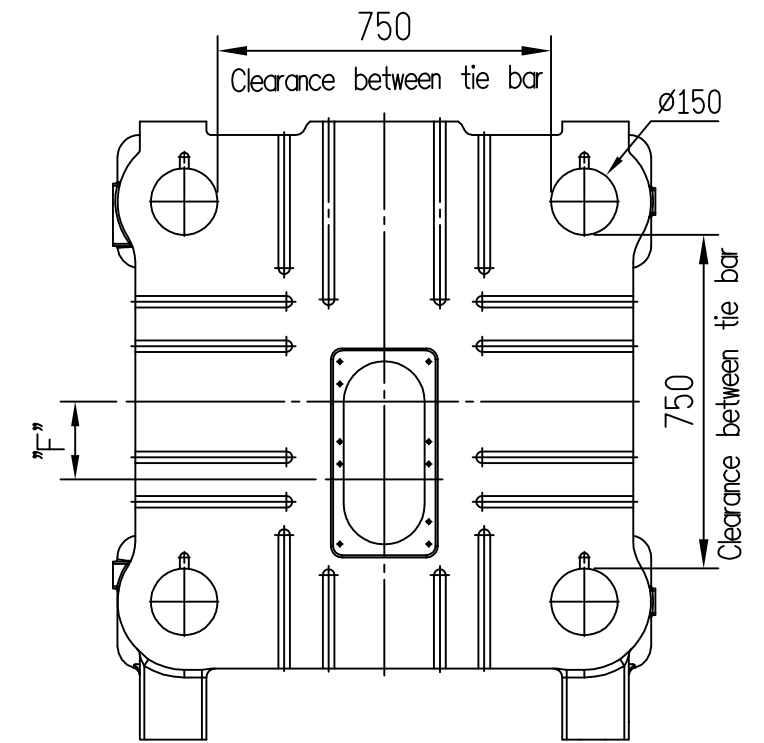


"A-A" Sectional area



"F" is 0, -50, -180, -230

when shot position is 0, ladle cup is restricted.(Dosing furnace does not apply)



"B-B" Sectional area

Re:<01> Dimension 225x200<4holes> retracting holes position are different with old generation  
old generation is 225x225<4holes>