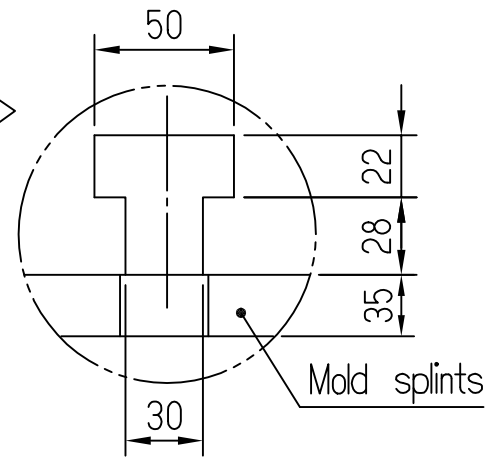
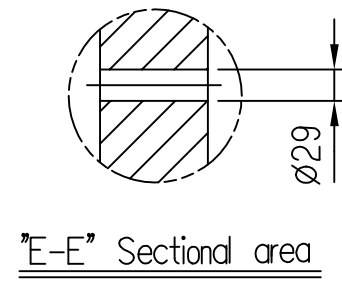


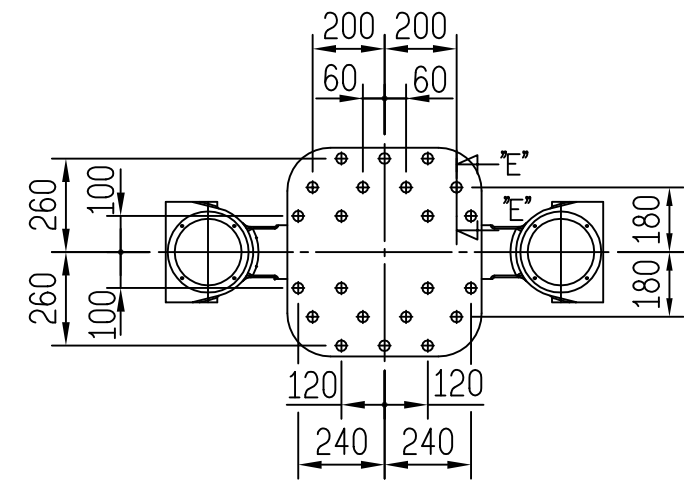
⊕ ∅38X22bore <For eject hole or Retract hole>



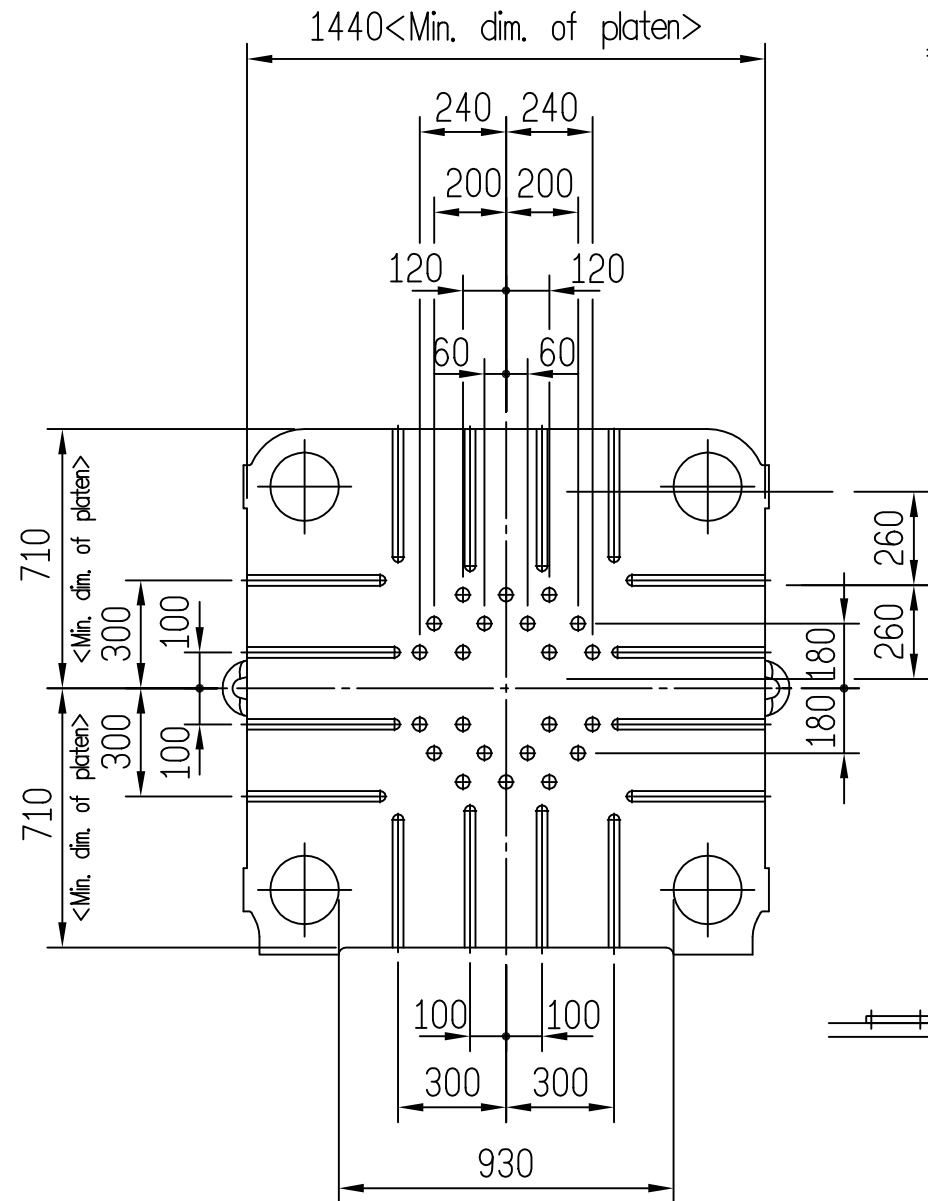
T-slot, "D" detailed diagram



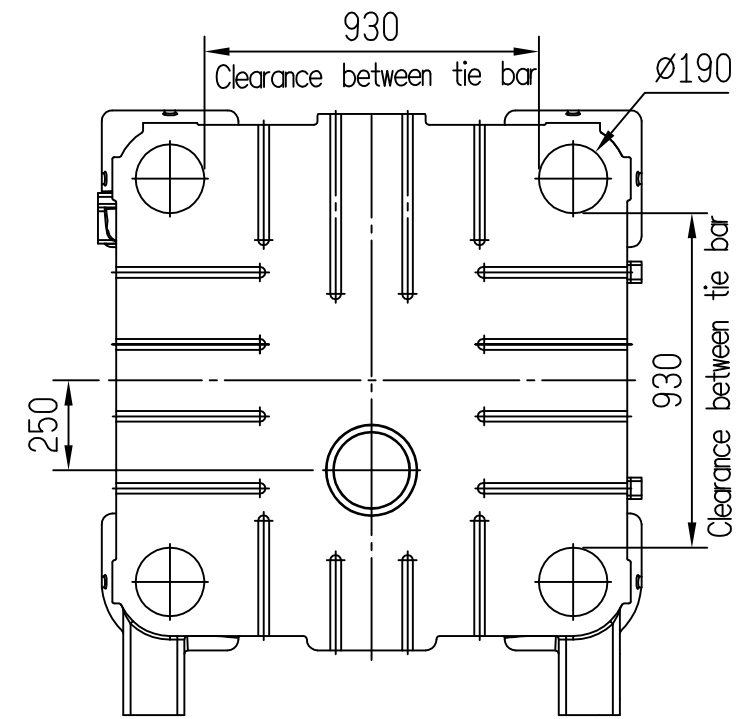
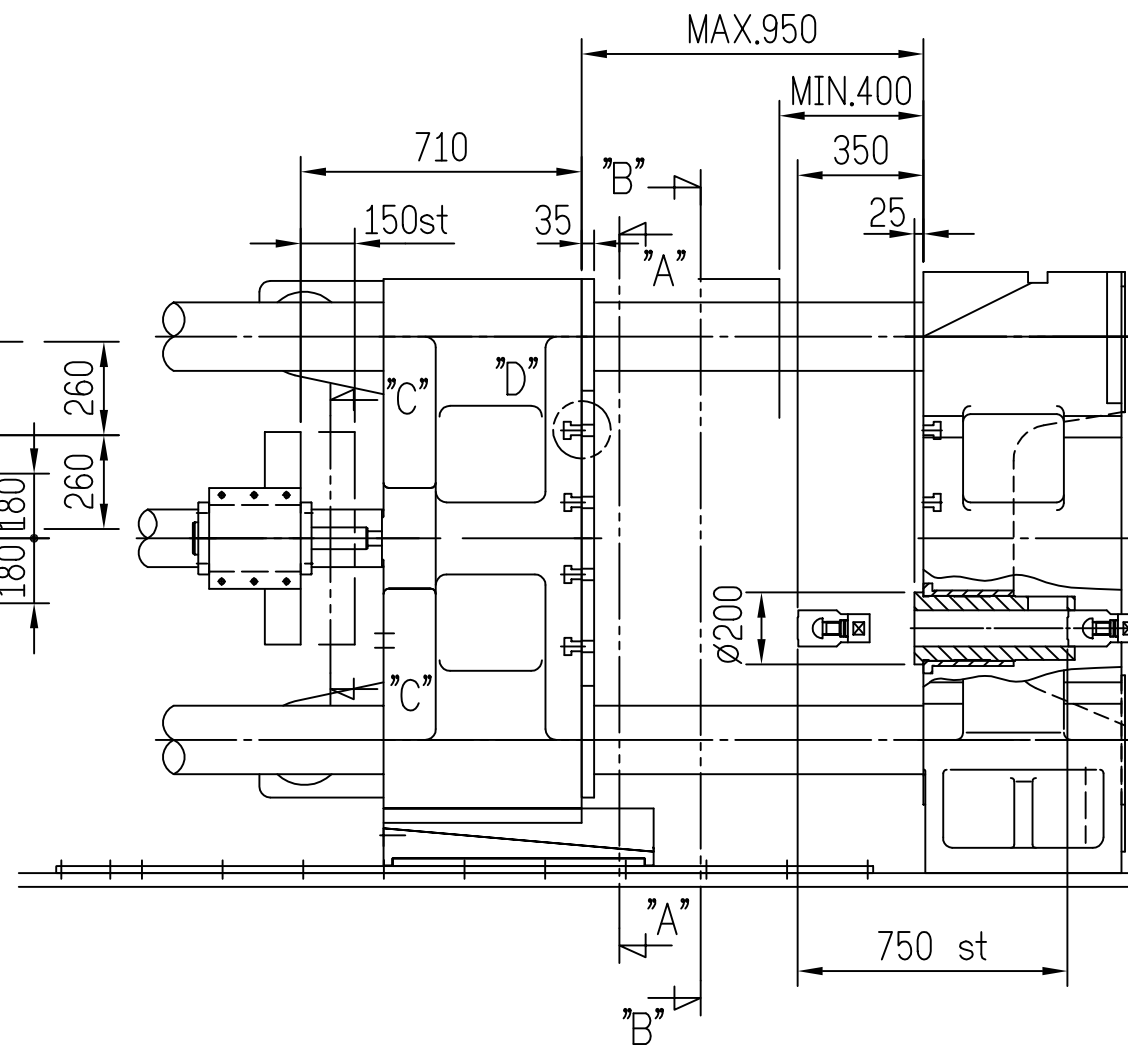
"E-E" Sectional area



Retract hole position
"C-C" Sectional area



"A-A" Sectional area



"B-B" Sectional area

Re:<01>Old generation-retracting hole is 30 pieces , new generation is 22 pieces that less 8 pieces compare to old one.



鋁台精機廠股份有限公司
ZITAI-PRECISION MACHINERY CO., LTD

MODEL

ZDC-900T

No.

Q1CPDEA131

Applied sect

Die platen ejection drawing