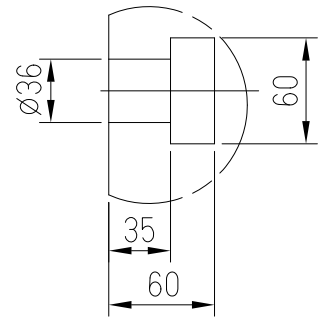
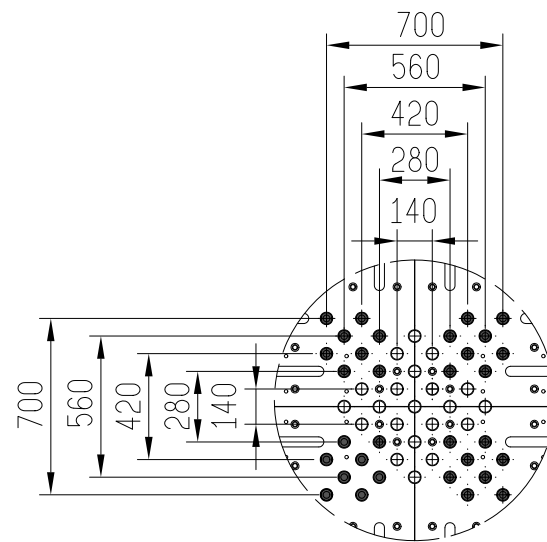


● Retract hole- $\phi 45 \times 32$ hole

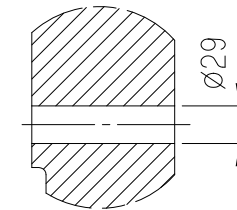
○ Eject hole- $\phi 45 \times 21$ hole



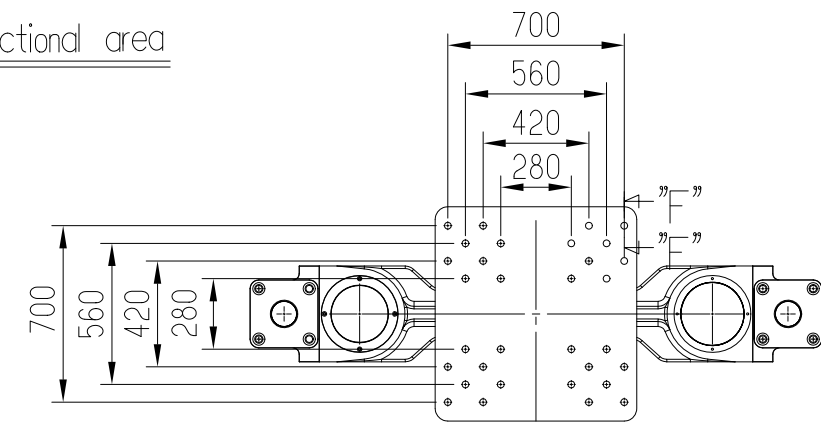
T-slot, "D" detailed diagram



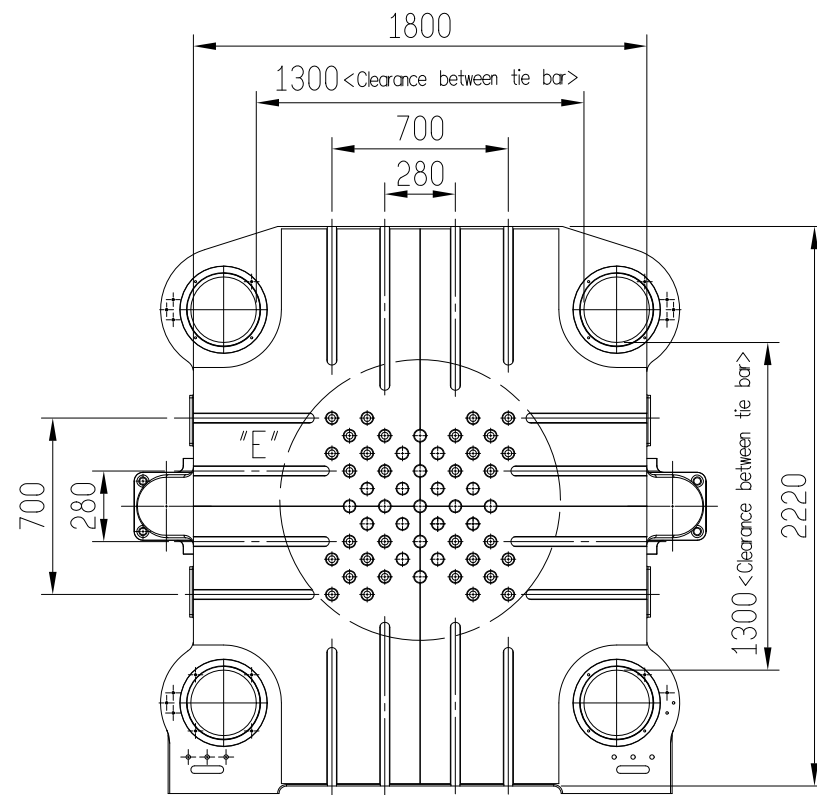
"E" detailed diagram



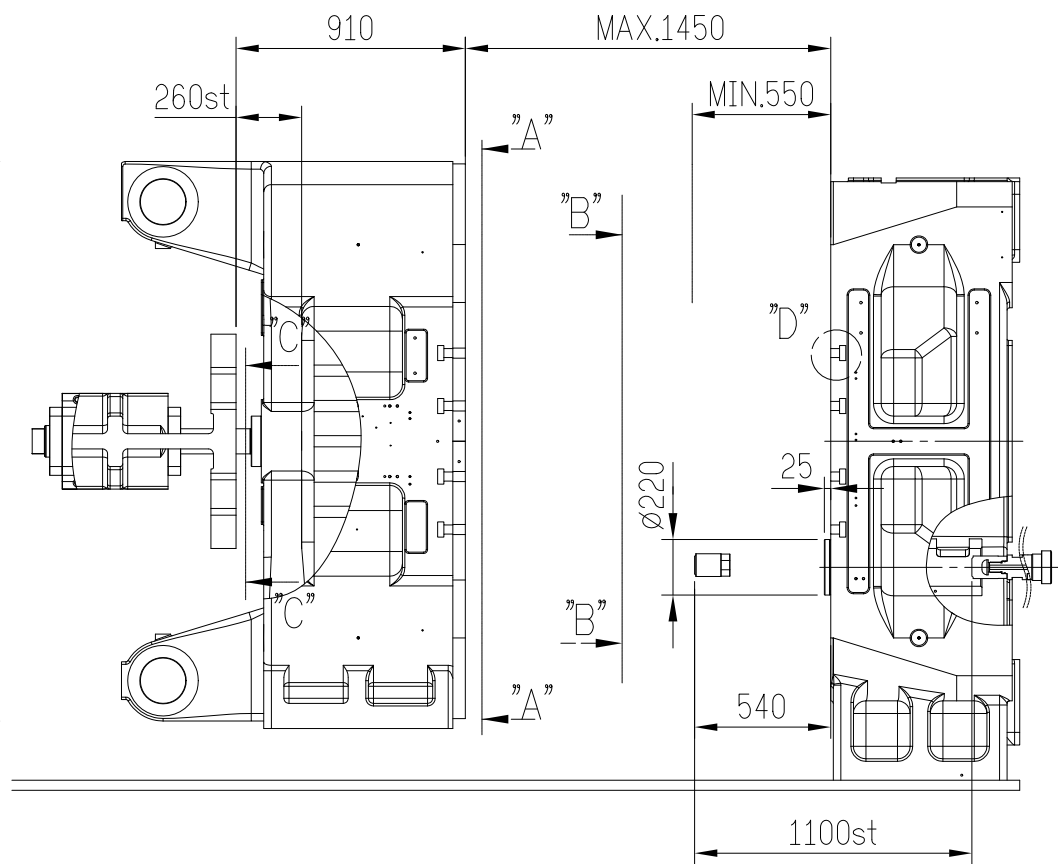
"F-F" Sectional area



Retract hole position
"C-C" Sectional area



"A-A" Sectional area



"B-B" Sectional area

"F" is 0, -250, -500

*when shot position is 0, ladle cup is restricted. (dosing furnace does not apply)



鋁台精機廠股份有限公司
ZITAI-PRECISION MACHINERY CO., LTD

MODEL ZDC-1800T

No.

R6DEA132

Applied sect

Die platen ejection drawing