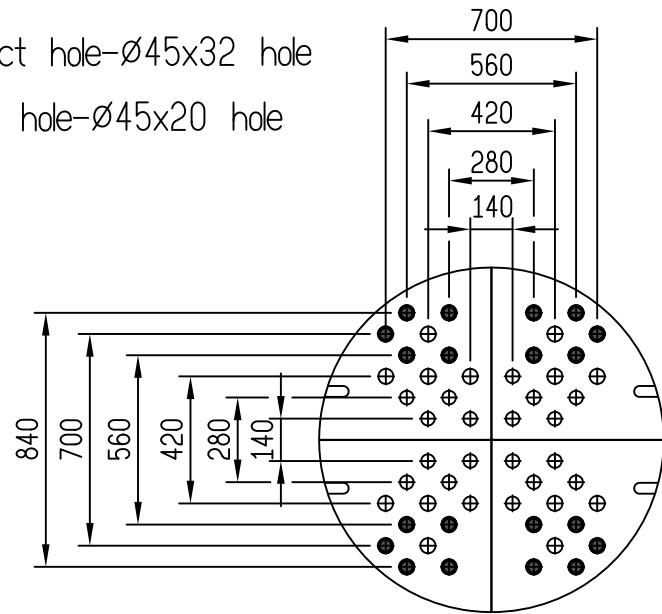
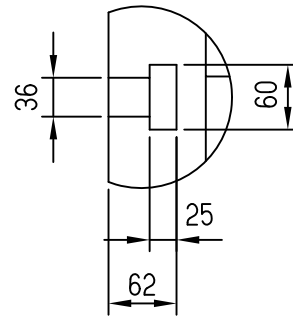


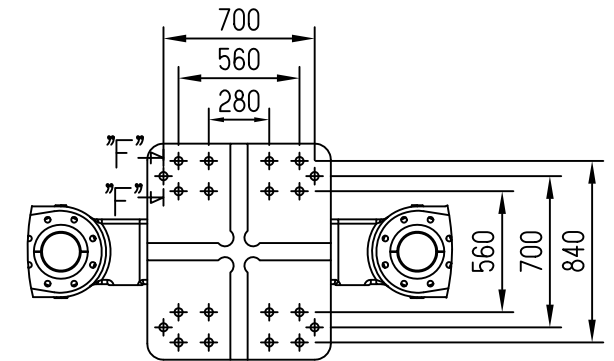
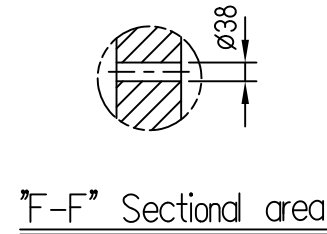
- Retract hole- $\phi 45 \times 32$ hole
- Eject hole- $\phi 45 \times 20$ hole



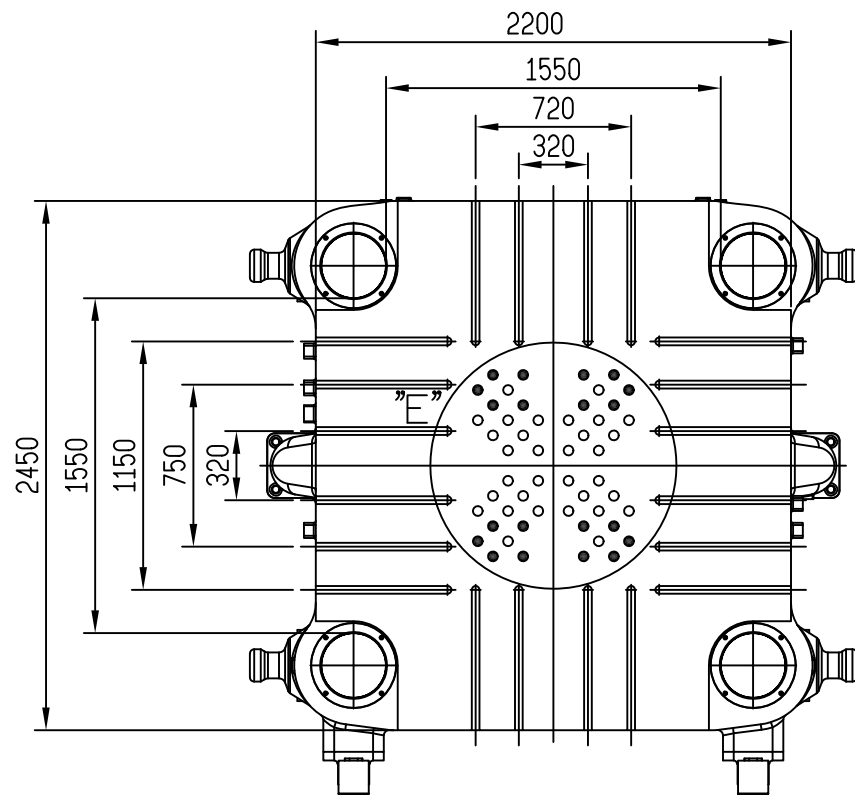
"E" detailed diagram



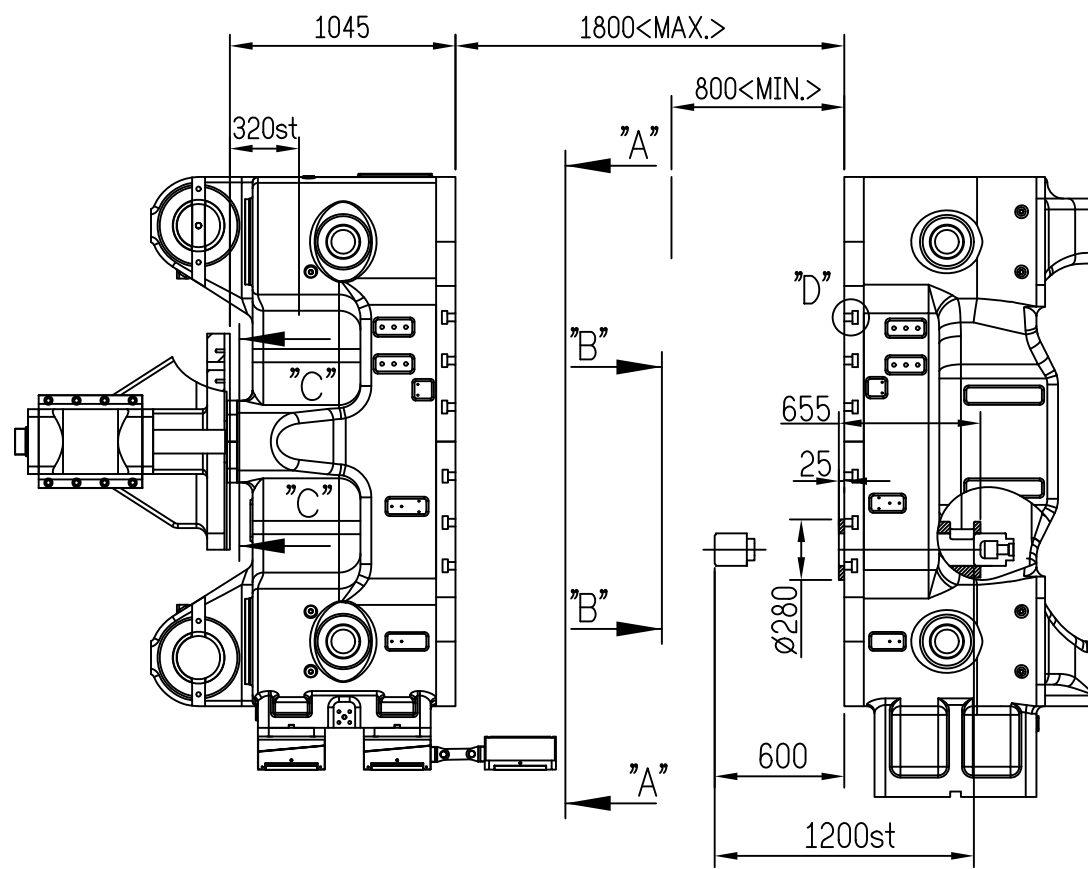
T-slot, "D" detailed diagram



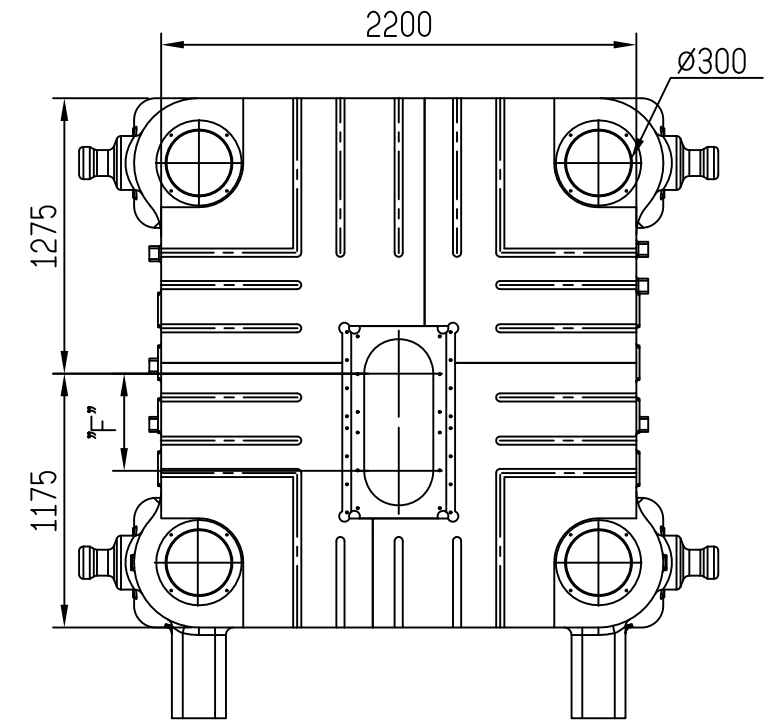
Retract hole position
"C-C" Sectional area



"A-A" Sectional area



"F" is -50, -250, -500



"B-B" Sectional area

| | |
|---------------------|---|
| Applied sect No. | Die platen ejection drawing S6DEA131 |
|---------------------|---|