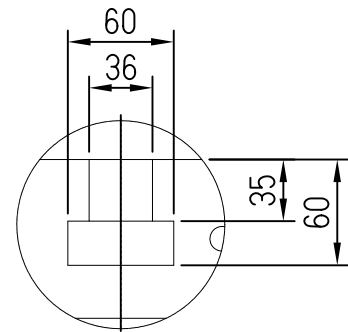
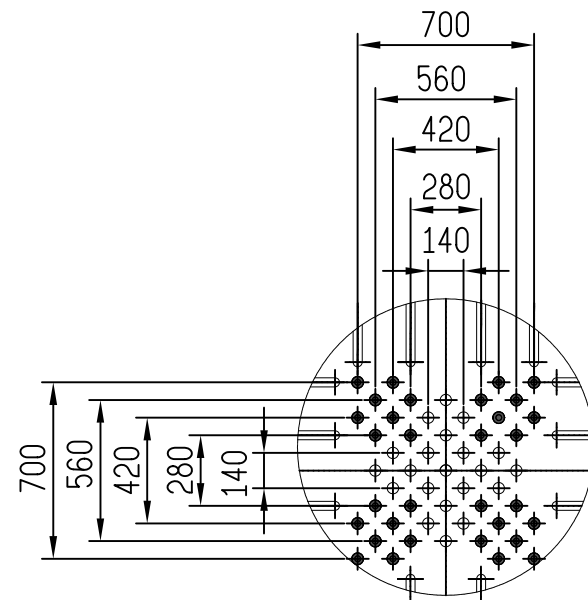


● Retract hole- $\phi 45 \times 32$ hole

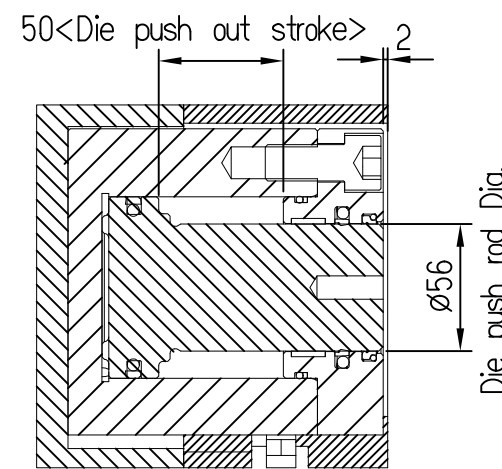
○ Eject hole- $\phi 45 \times 21$ hole



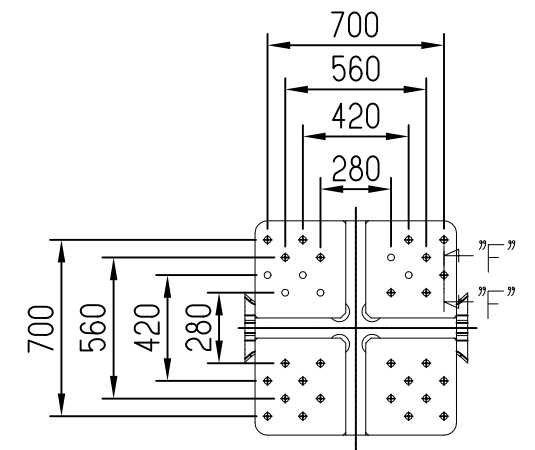
T-slot, "D" detailed diagram



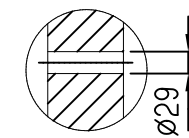
"E" detailed diagram



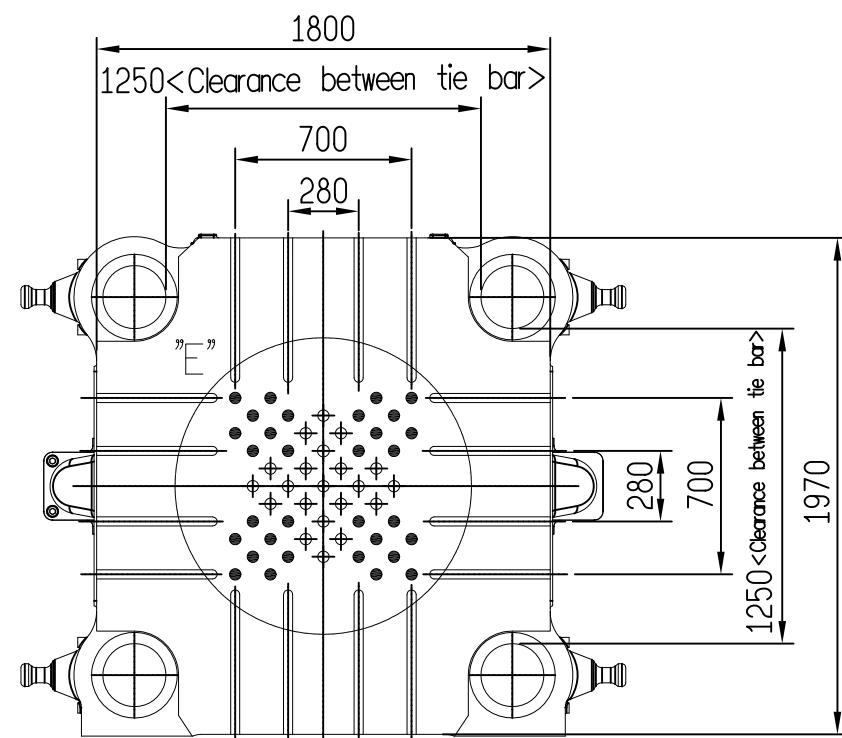
"G-G" Sectional area



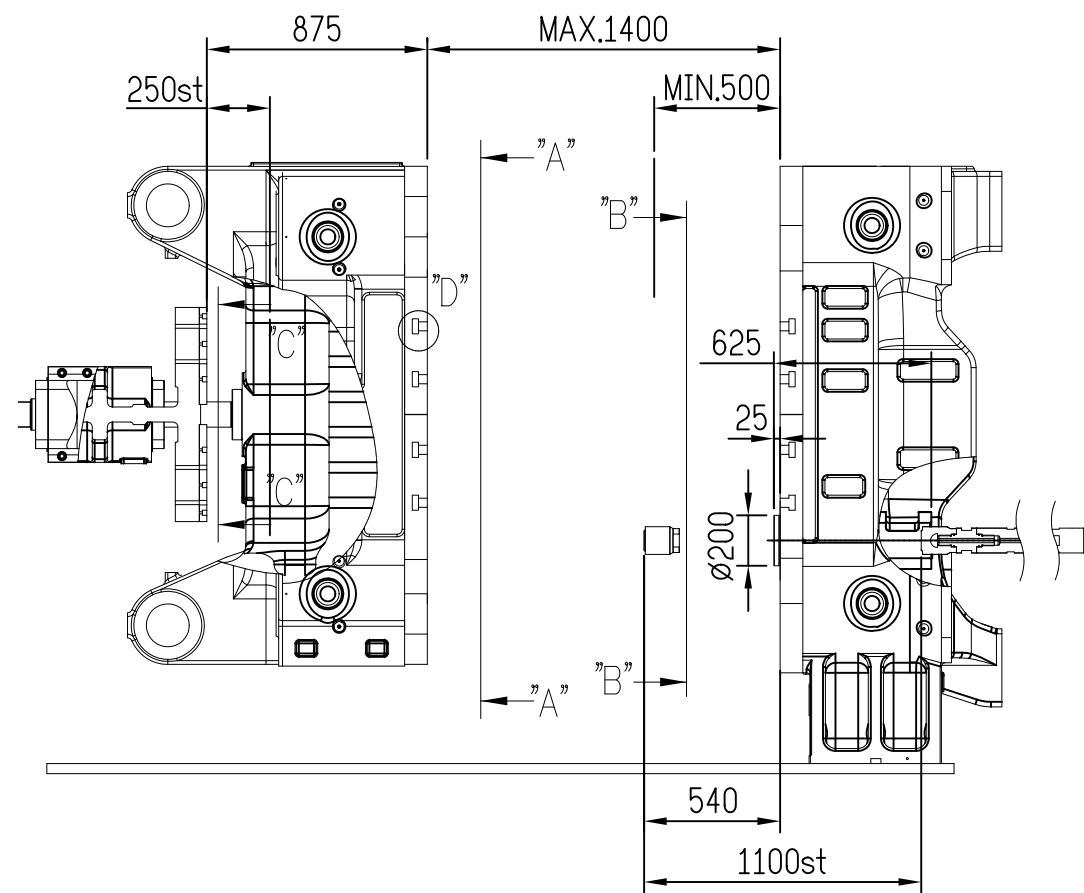
Retract hole position
"C-C" Sectional area



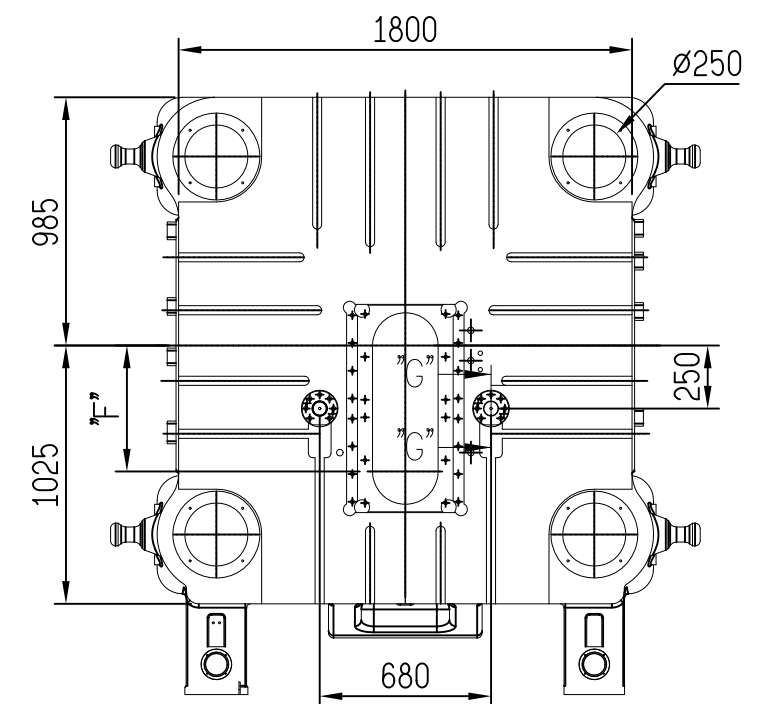
"F-F" Sectional area



"A-A" Sectional area



"F" is 0, -250, -500



"B-B" Sectional area

Applied sect	Die platen ejection drawing
No.	T6DEA131