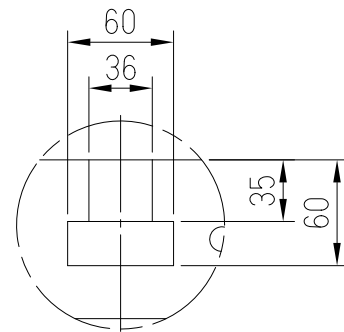
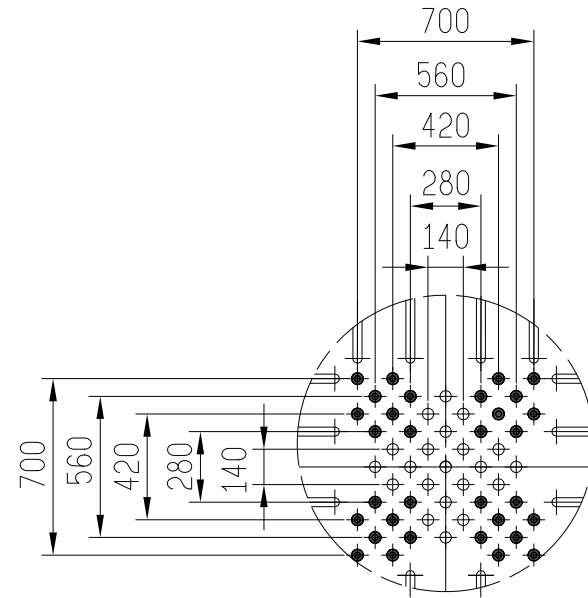


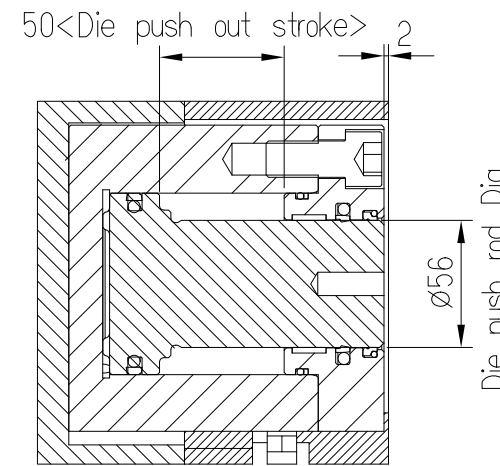
- Retract hole- $\phi 45 \times 32$ hole
- Eject hole- $\phi 45 \times 21$ hole



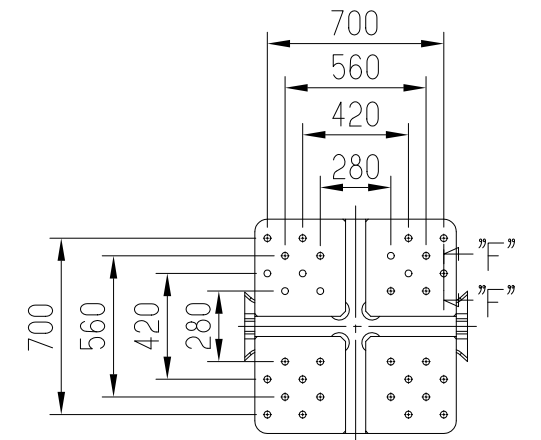
T-slot, "D" detailed diagram



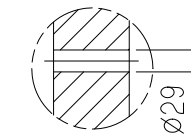
"E" detailed diagram



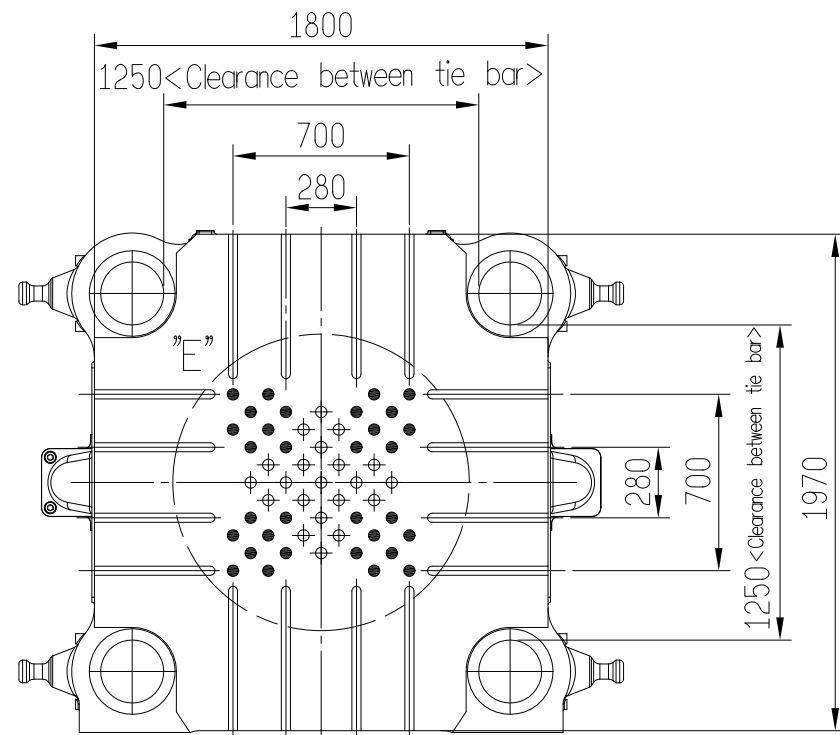
"G-G" Sectional area



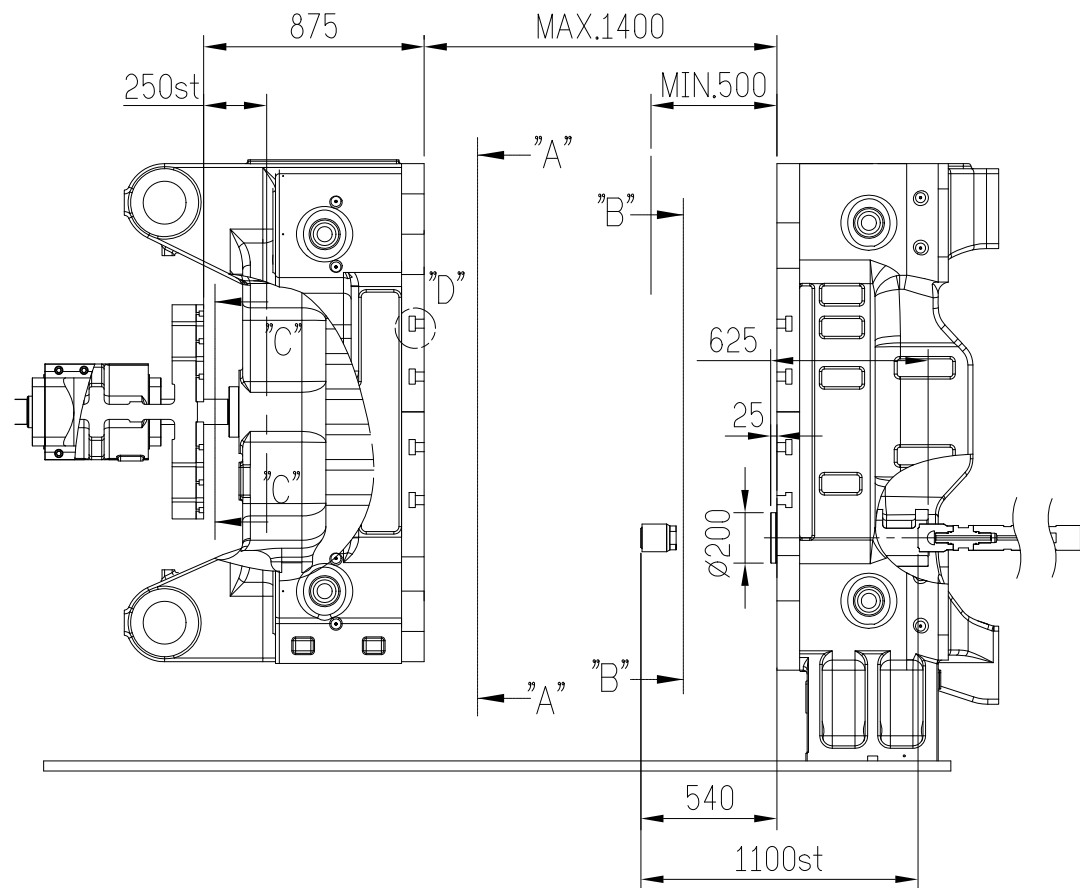
Retract hole position
"C-C" Sectional area



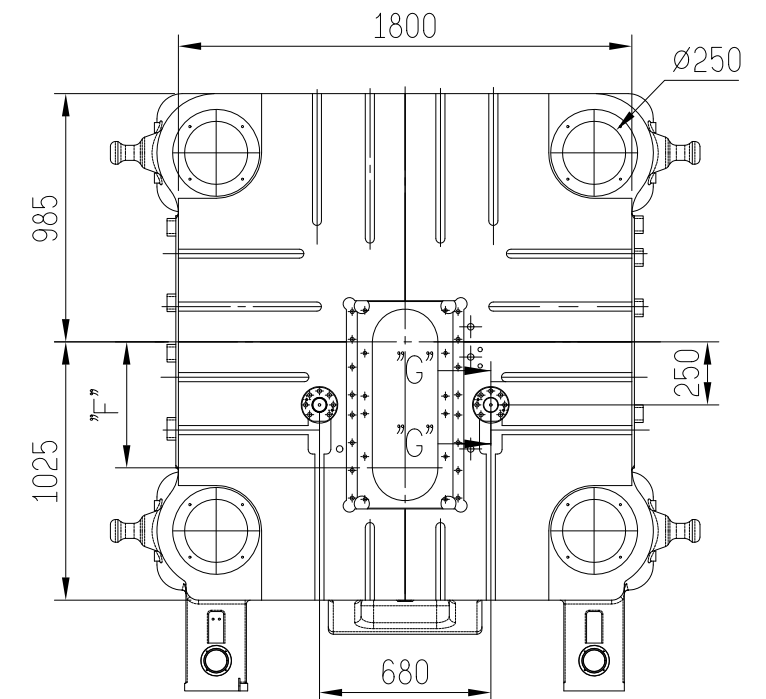
"F-F" Sectional area



"A-A" Sectional area



"F" is 0, -250, -500



"B-B" Sectional area

*when shot position is 0, ladle cup is restricted. (dosing furnace does not apply)

	鋁台精機廠股份有限公司 ZITAI-PRECISION MACHINERY CO., LTD	MODEL	ZDC-1600T	No.	T6DEA131	Applied sect	Die platen ejection drawing
--	---	-------	-----------	-----	----------	--------------	-----------------------------