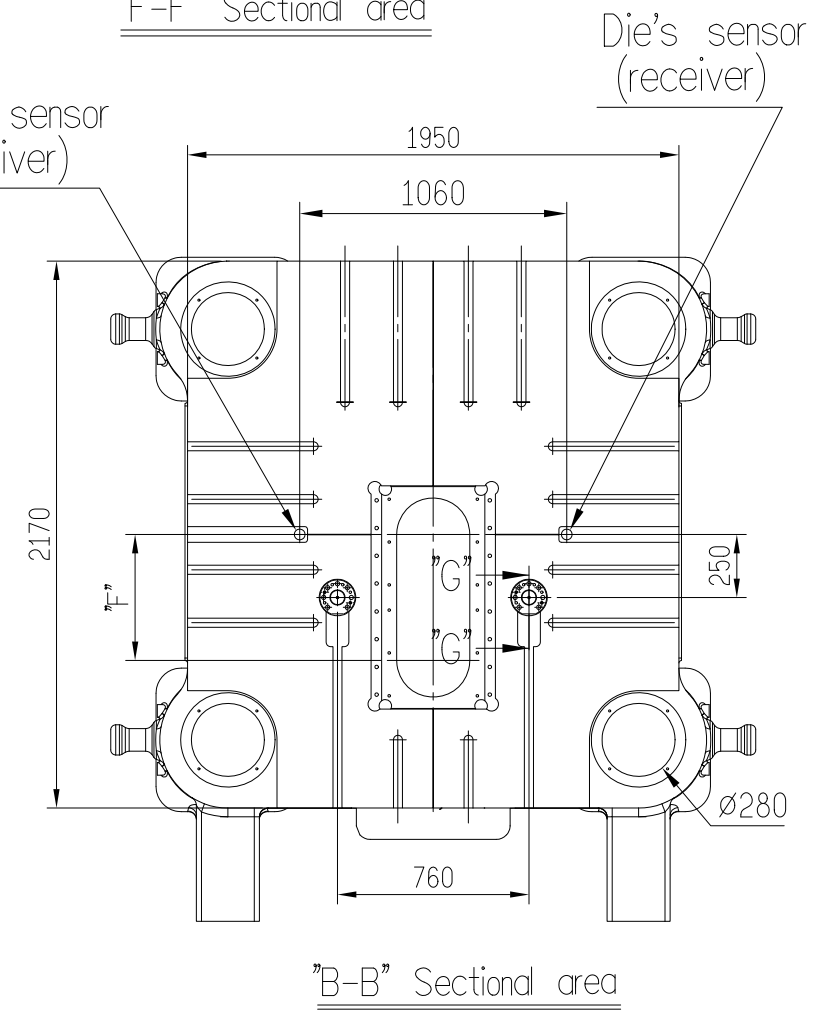
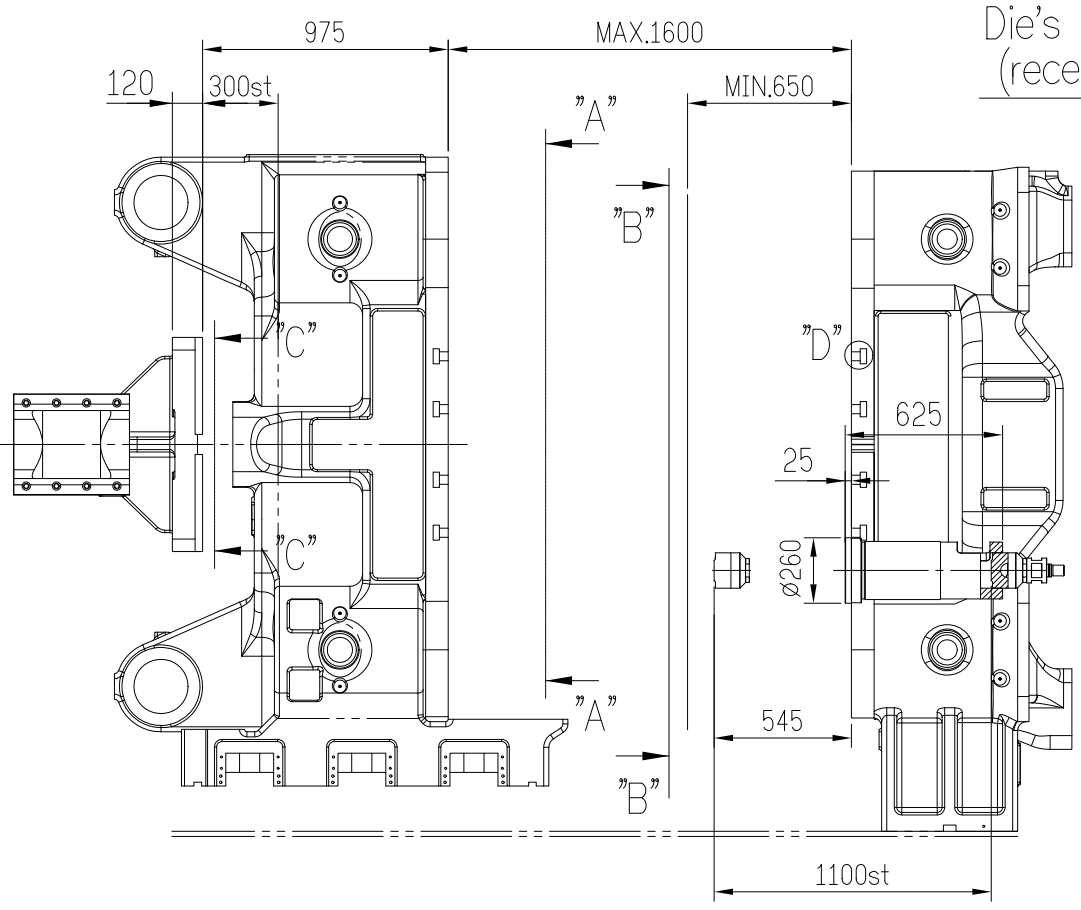
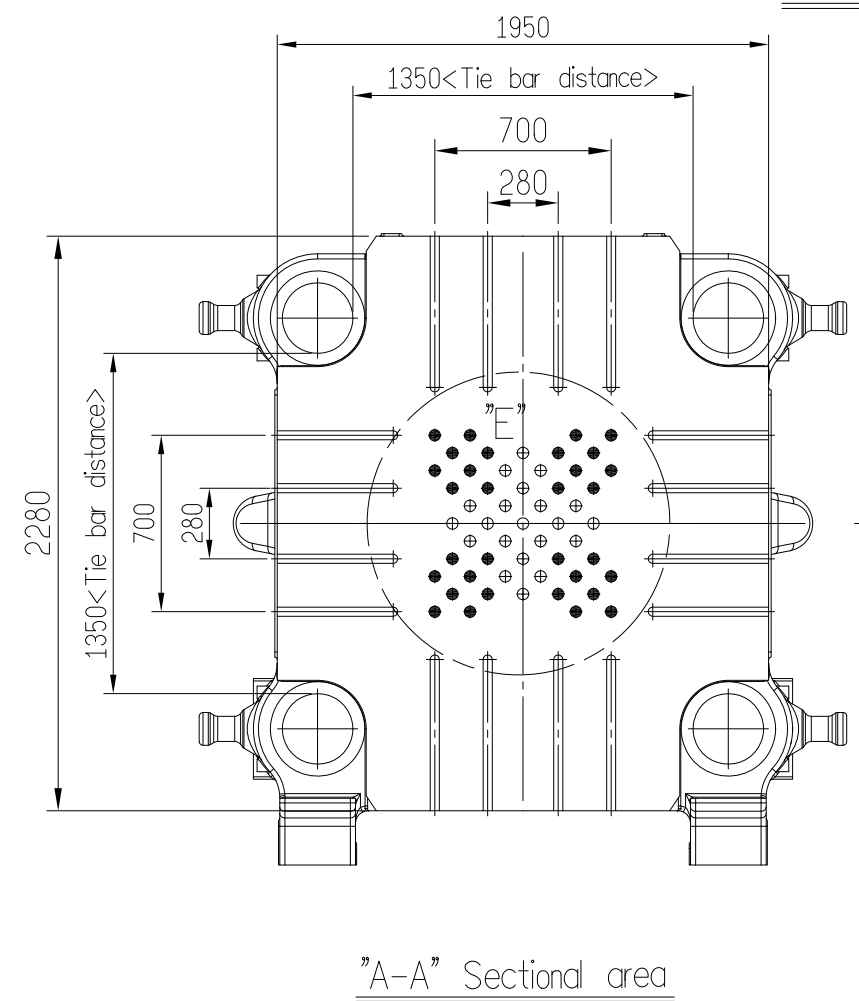
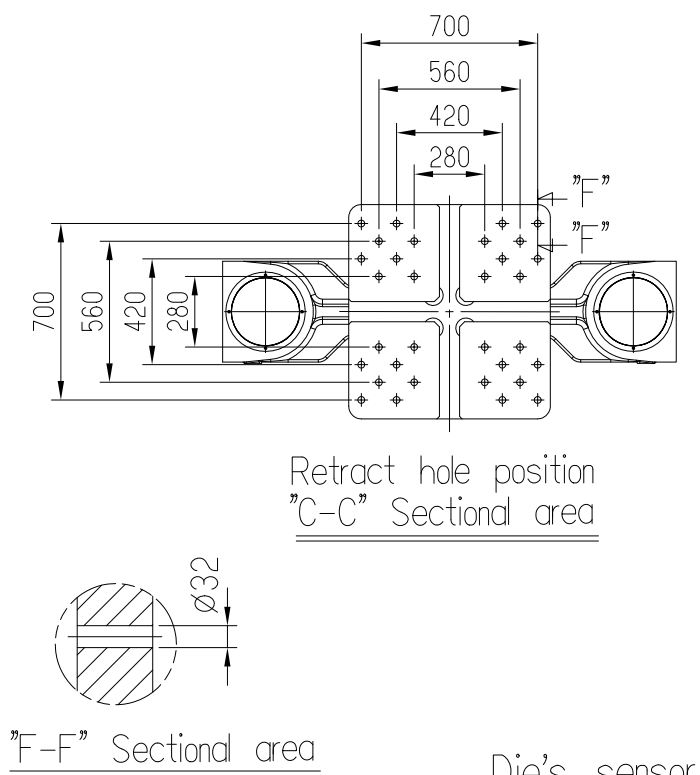
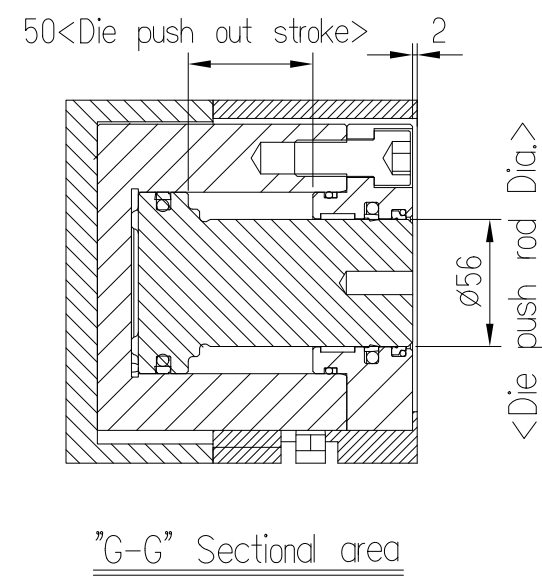
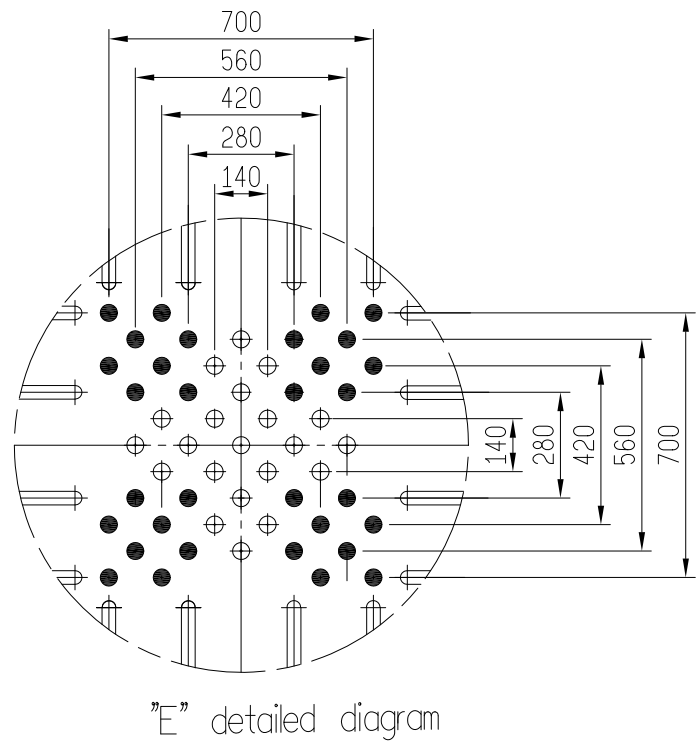
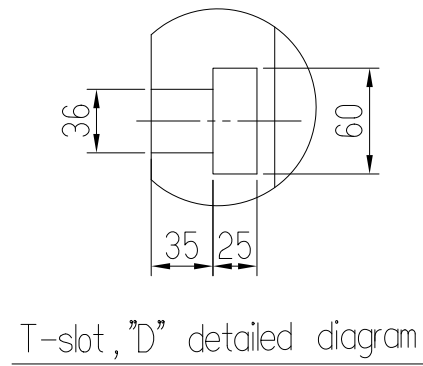


- Retract hole- $\phi 45 \times 32$ hole
- Eject hole- $\phi 45 \times 21$ hole



"F" is -0, -250, -500

*when shot position is 0, ladle cup is restricted. (dosing furnace does not apply)

	鋁台精機廠股份有限公司 ZITAI-PRECISION MACHINERY CO., LTD	MODEL	ZDC-2000T	No.	U0CZDEA130	Applied sect	Die platen ejection drawing
--	---	-------	-----------	-----	------------	--------------	-----------------------------