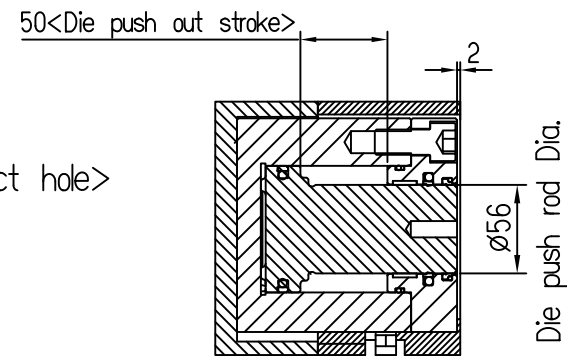
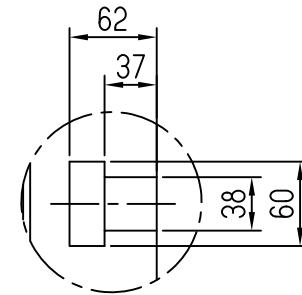


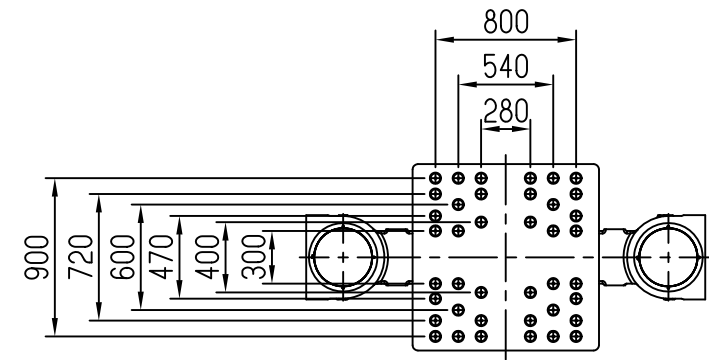
⊕ $\phi 55 \times 40$ hole <For eject hole or Retract hole>



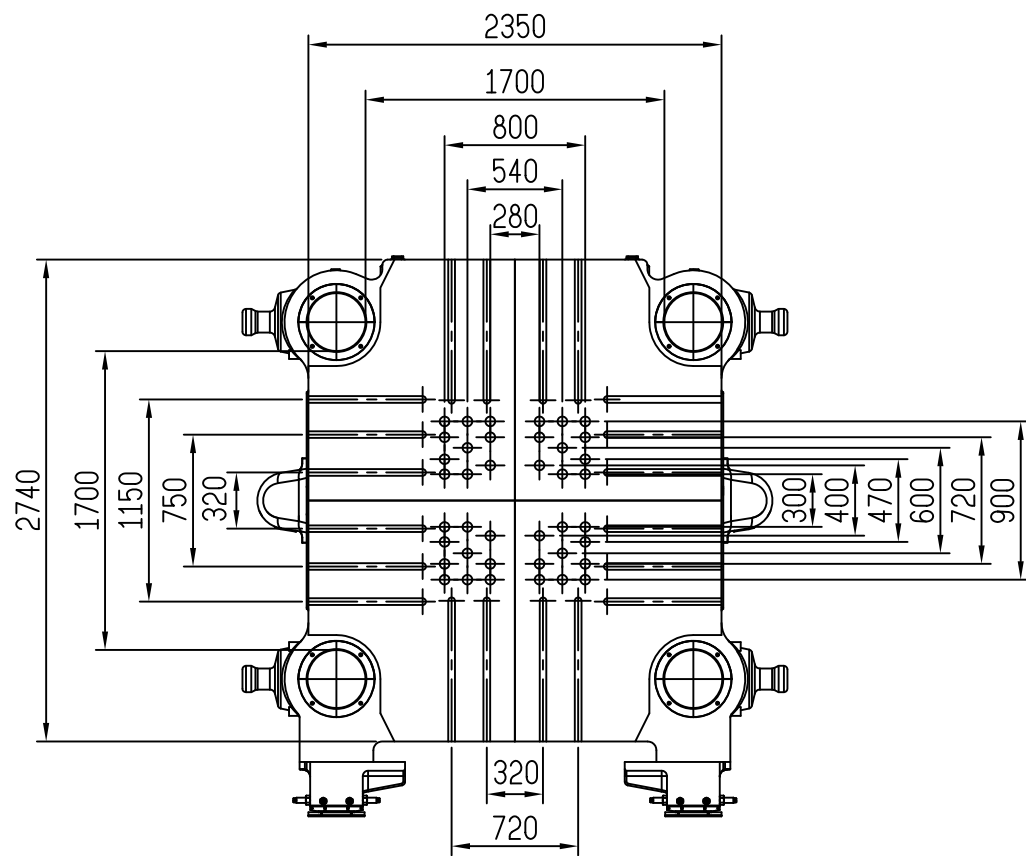
"G-G" Sectional area



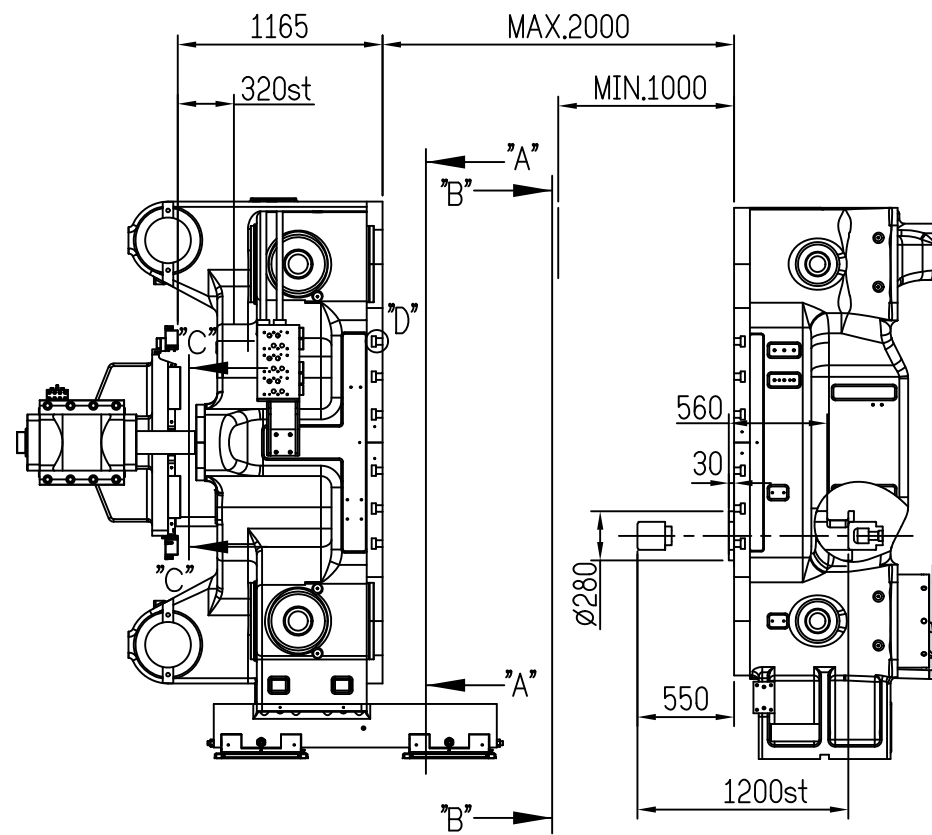
T-slot, "D" detailed diagram



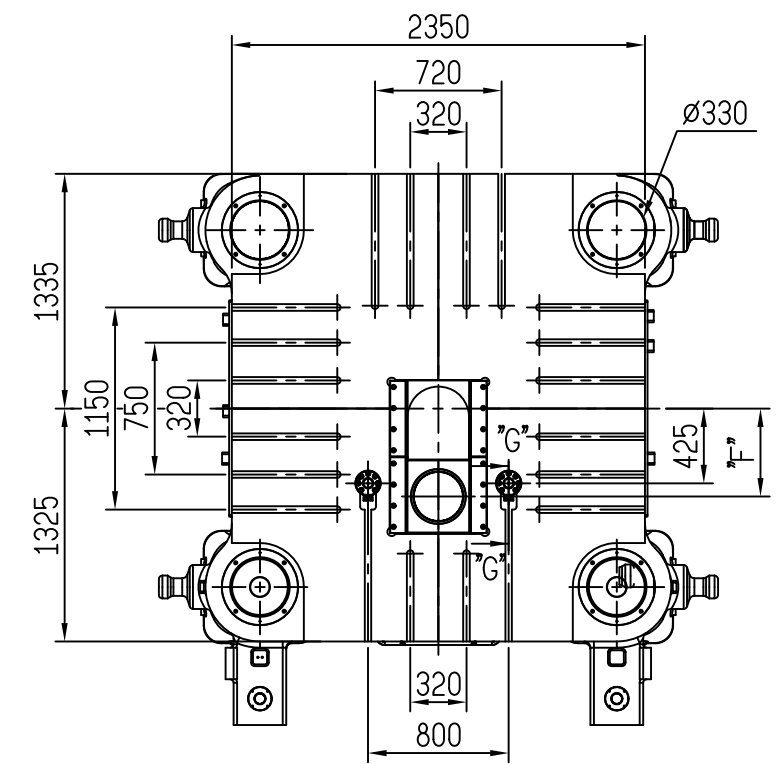
Retract hole position
"C-C" Sectional area



"A-A" Sectional area



"F" is -50, -250, -500



"B-B" Sectional area

Applied sect	Die platen ejection drawing
No.	V6DEA130