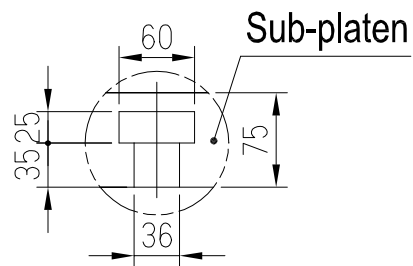
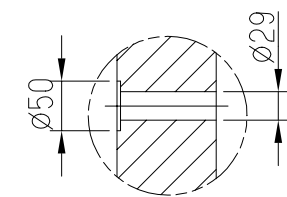


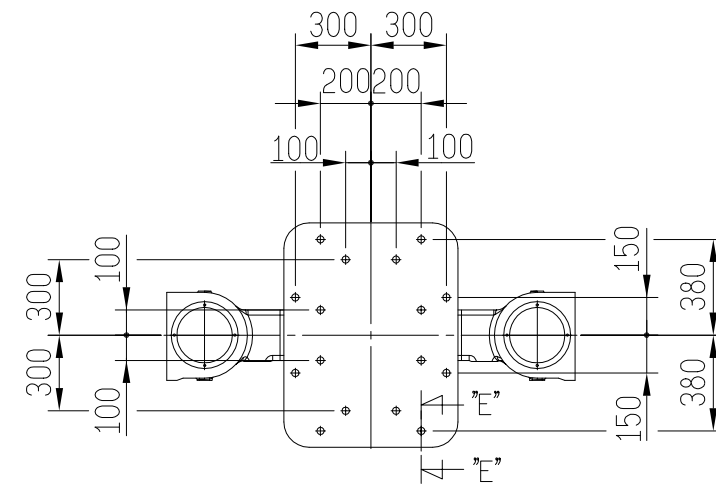
- ⊕ Eject hole  $\varnothing 45 \times 14$  hole
- Retract hole  $\varnothing 45 \times 16$  hole



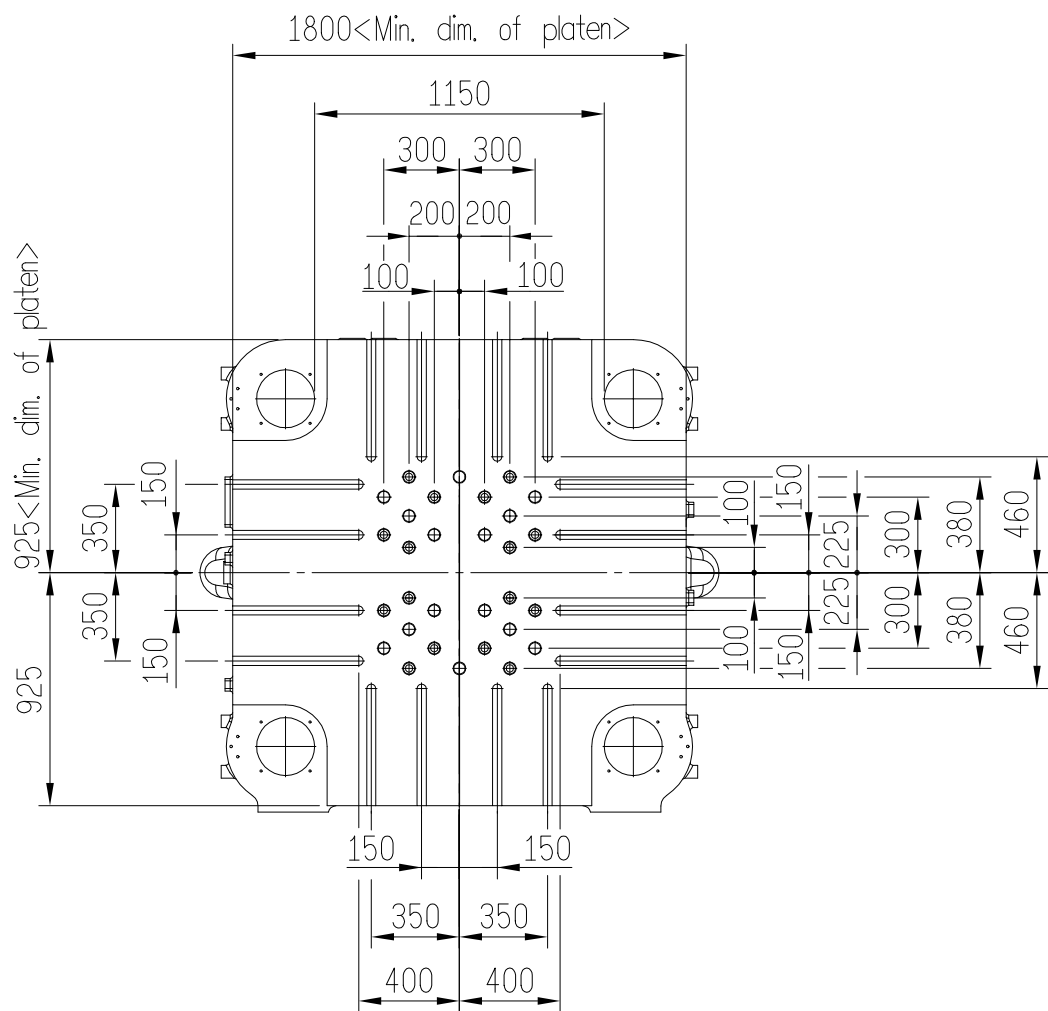
T-slot, "D" detailed diagram



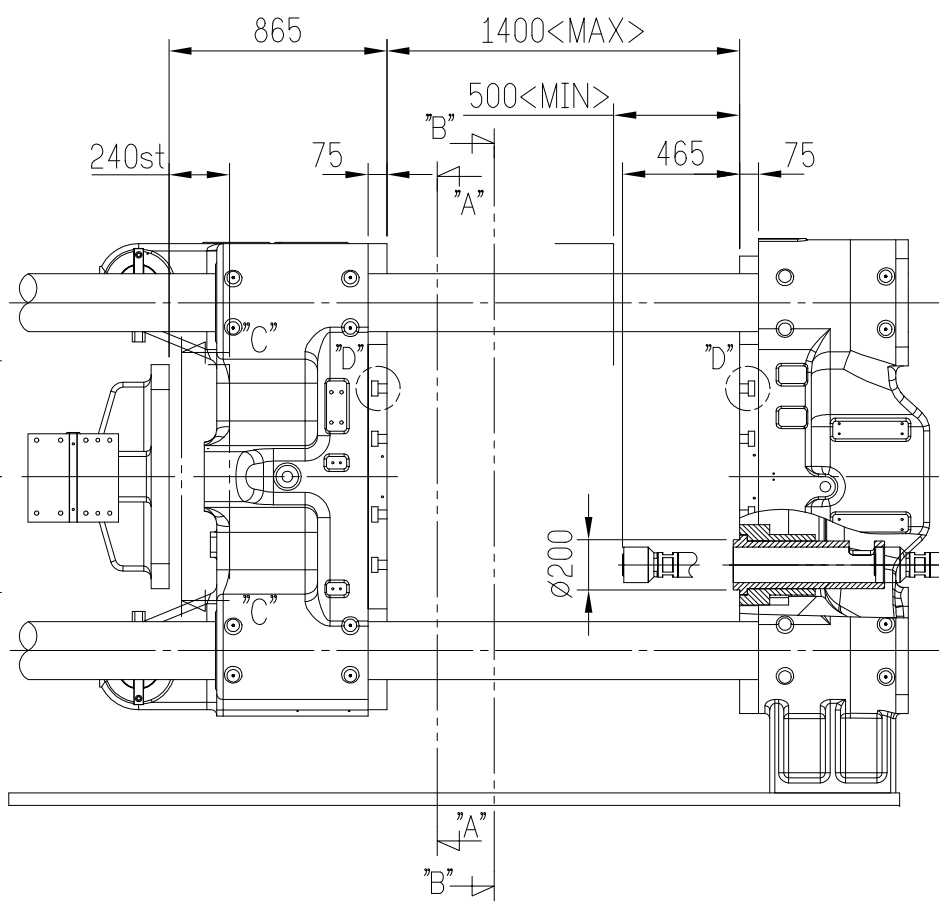
"E-E" Sectional area



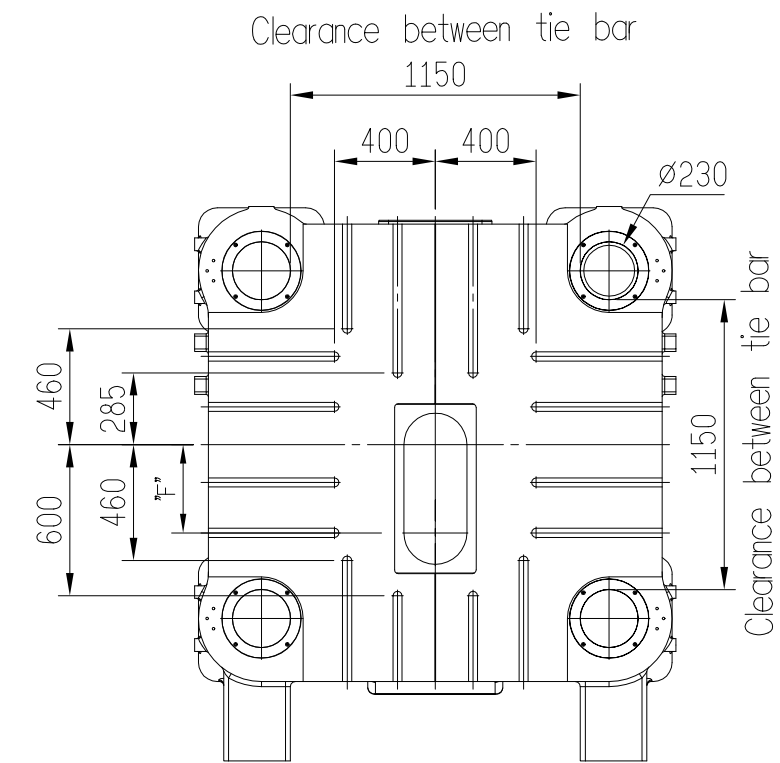
Retract hole position  
"C-C" Sectional area



"A-A" Sectional area



"F" : -40, -285, -350



"B-B" Sectional area



鋁台精機廠股份有限公司  
ZITAI-PRECISION MACHINERY CO., LTD

MODEL ZDC-1400T

No.

Z0CPDEA130

Applied sect

Die platen ejection drawing