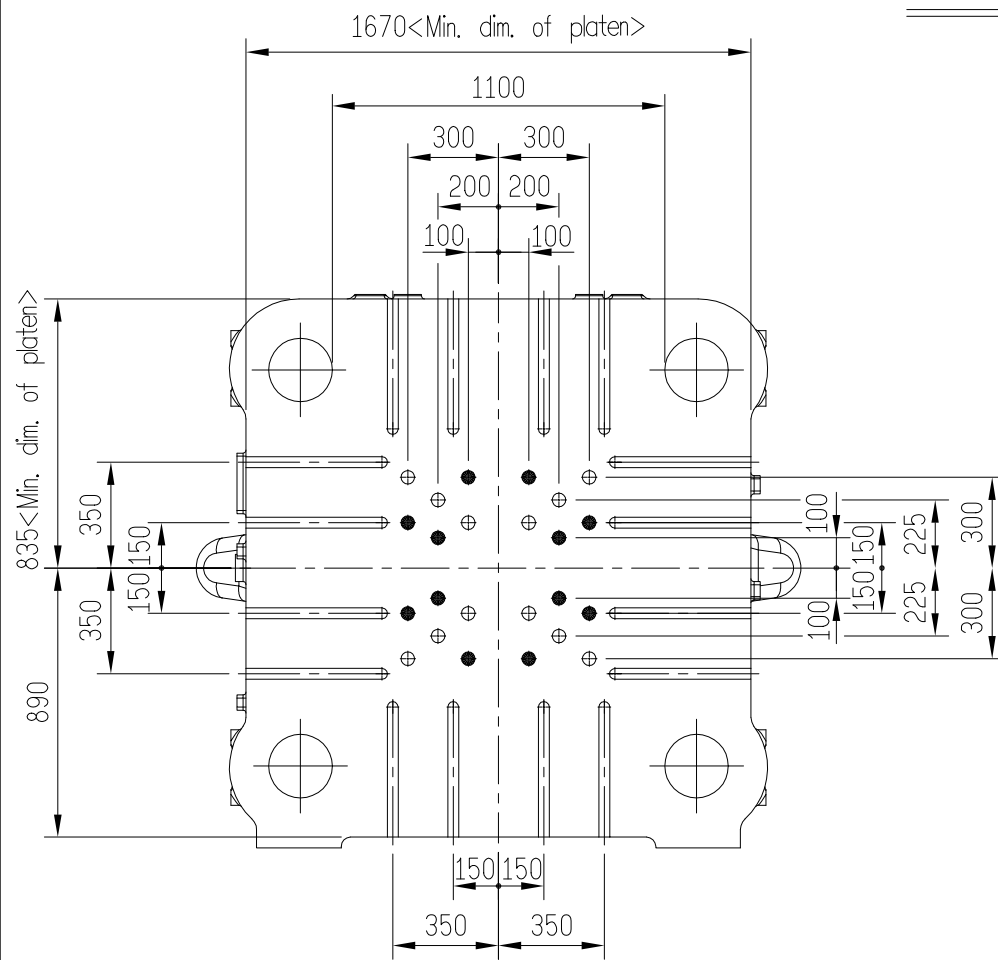
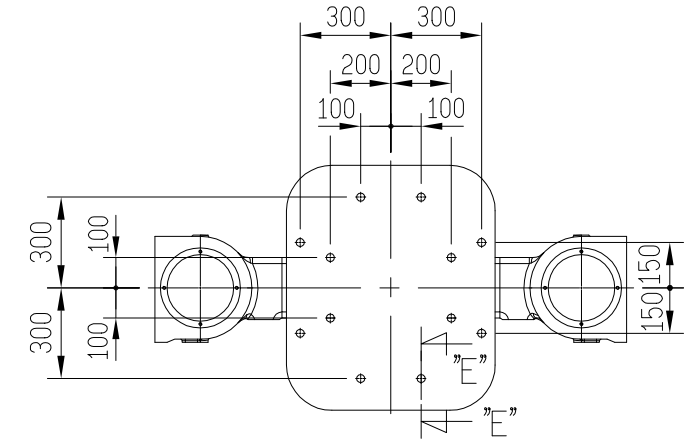
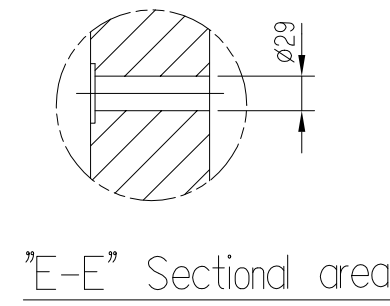
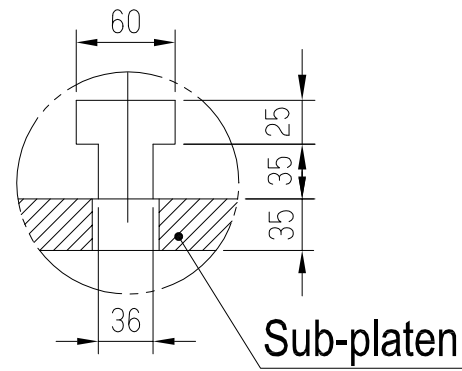
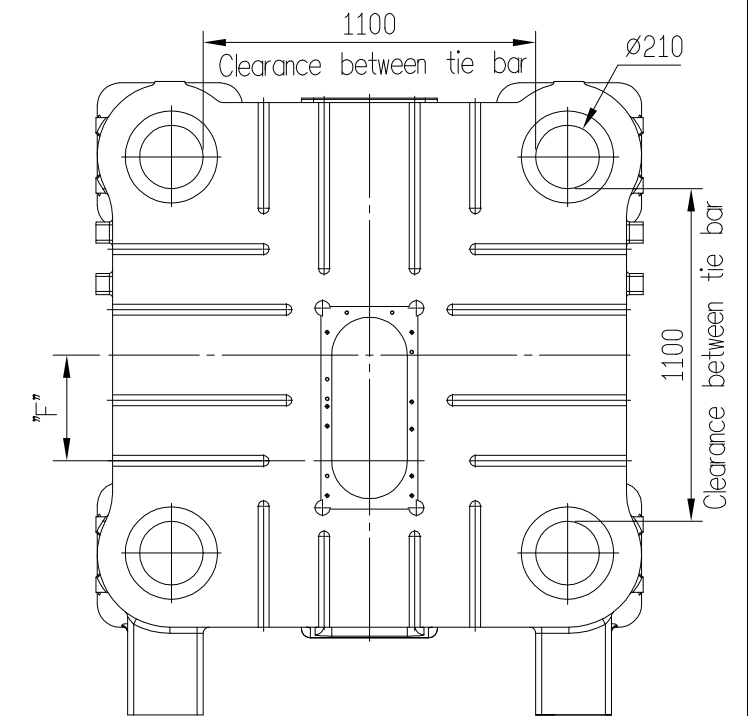
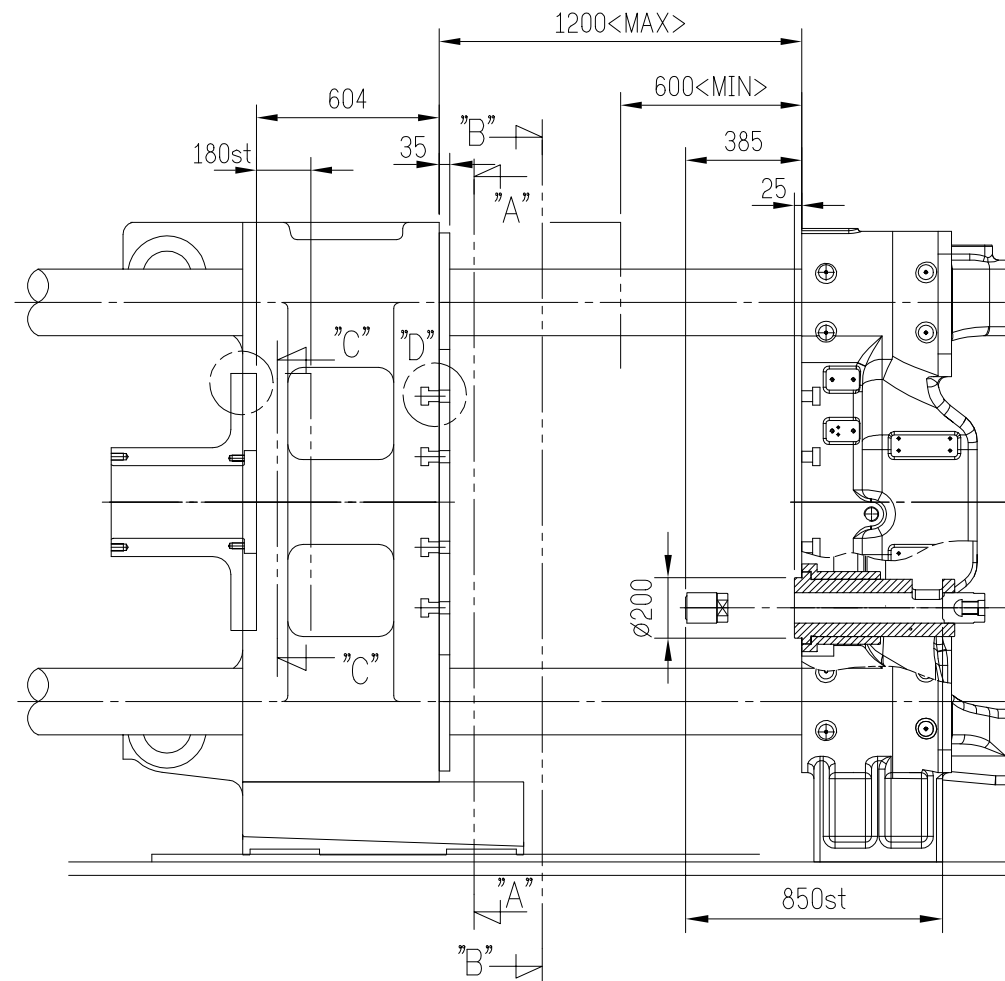


- ⊕ Eject hole $\varnothing 45 \times 12$ hole
- Retract hole $\varnothing 45 \times 12$ hole



T-slot, "D" detailed diagram



"F" is -50, -300, -350



鋁台精機廠股份有限公司
ZITAI-PRECISION MACHINERY CO., LTD

MODEL ZDC-1100T

No.

ZMJ0VPDEA130

Applied sect

Die platen ejection drawing