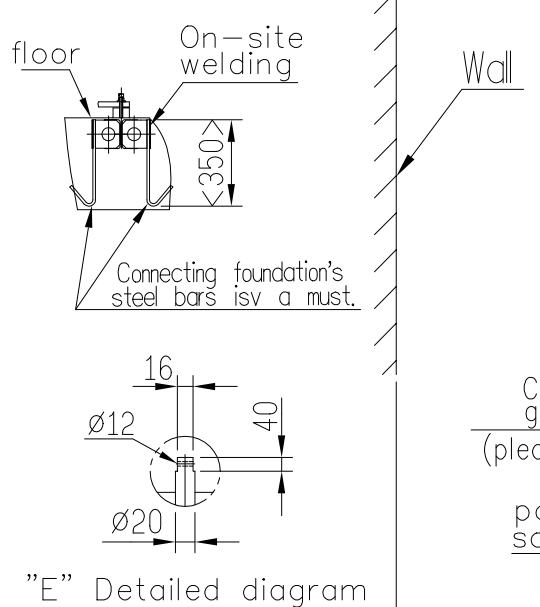
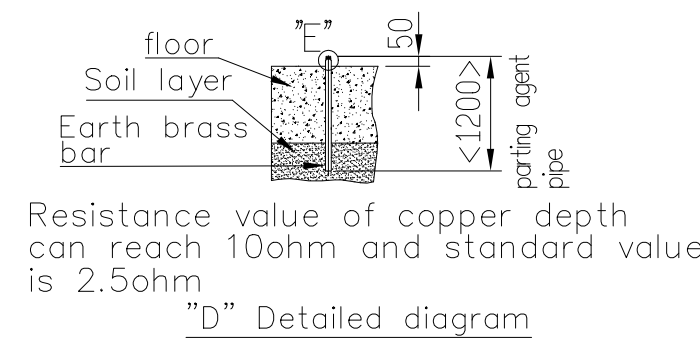


"C" detailed drawings can be found in 3 areas.
 <Horizontal adjustment for H-shape beam>



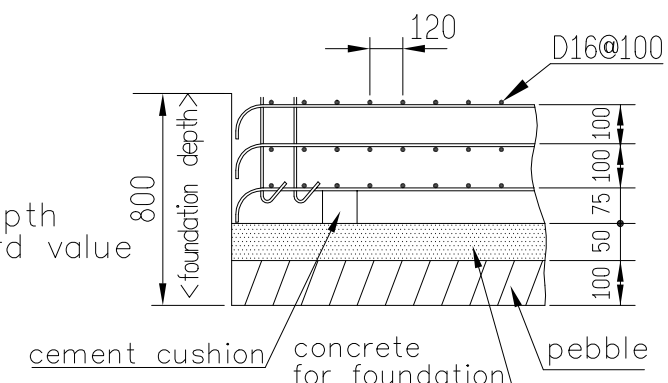
Copper rod of ground wire
 (please refer to "D")
 power <ø4">
 source terminal

*There cannot be any fixed interference in the area of tie bar pulling out

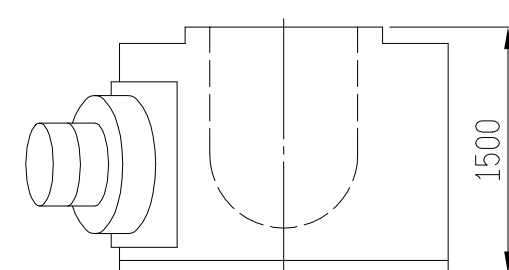


Resistance value of copper depth can reach 10ohm and standard value is 2.5ohm

"D" Detailed diagram

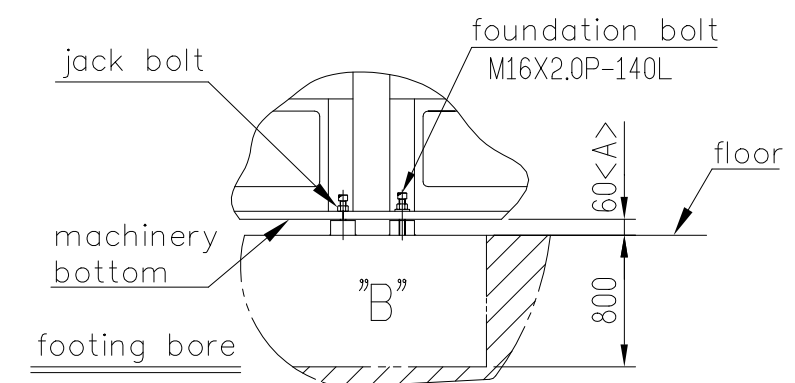


"B" Detailed diagram



Furnace

<If there is any change on the dimension, also please change A relatively>



Remark:
 <01>.Fasten rebar by steel wire & put H beam on top of it , ensure its levelling by level gauge.
 <02>.Cast H beam into concrete base , careful not to shift it during liquid concrete pouring.
 <03>.Foundation H beam specs:200X200.
 <04>.Mixing ratio of concrete : cement/sand/gravel/ :1:2:3.